



Flatec Glass Connectors : 8.1 Extract
Technical Information :

Sliding Door Systems

Flatec glass connectors



Flatec glass connectors

Indirect lighting is an essential feature of modern interior design.

Semi-transparent partitions are being used more and more often in planning interiors, whether for private homes or offices, in shops or for the design of waiting rooms.

Partitions made of glass allow light to pass and direct daylight into separate areas. Natural light produces a feeling of wellbeing and perception in relation to modern design, using less artificial light and saving energy.

ABP Beyerle develops products for modern architecture in the spirit of the age.

The new stainless steel Flatec glass connector system is an extension for the Flatec and other sliding door systems which, used together, allow planners almost any constellation of room layout and separation.

The system has been designed as a connecting element for 5/16"-1/2" mm glass and other modern materials.

Other components can be made as project-related special parts.



Flatec angle-connector (inner angle), USO274EF



Flatec connectors, USO272EF and USO274EF



Flatec connector (detail)

Flatec glass connectors

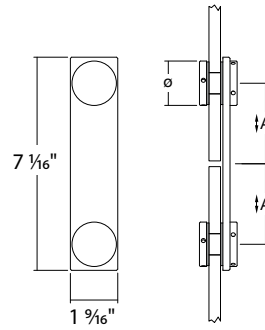
FORM follows FUNCTION

The combination of rectangular profile with filigree all-round chamfer decorative screws with 4 tightening holes result in the classic impression. The system is made of finely ground stainless steel.

Flatec glass-connectors

glass-glass

180°-connector

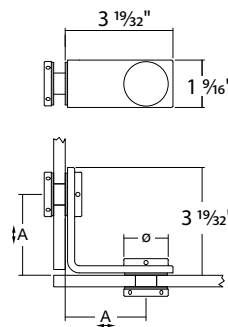


Art. No.	ø	GS	A
USO272EF	1 1/2"	5/6" - 1/2"	211/16"

plain profile 7 1/16" x 1 9/16", chamfered framed edge (one-sided), material thickness $t = 1/4"$
 decorative caps ø 1 1/2" with 4 tightening holes
 glass thickness $GS = 5/6" - 1/2"$
 (starting from 7/16" glass use thread pin M3/8" x 1")
 glass protection set
 satin stainless steel (AISI 303/304)

- ▼ Distance A +/- 5/64" adjustable
- ▼ Glass drilling ø 23/32" + 1/64"
- ▼ Mounting with ø 5/32" cylinder bolt or hook wrench - DIN 1816 (Art. No. Z924)

90°-connector (inner angle)

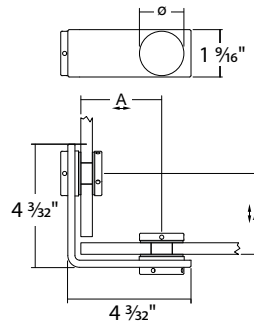


Art. No.	ø	GS	A
USO274EF	1 1/2"	5/6" - 1/2"	211/16"

plain profile 3 19/32" / 3 19/32" x 1 9/16", chamfered framed edge (one-sided), material thickness $t = 1/4"$
 decorative caps ø 1 1/2" with 4 tightening holes
 glass thickness $GS = 5/16" - 1/2"$
 (starting from 7/16" glass use thread pin M3/8" x 1")
 glass protection set
 satin stainless steel (AISI 303/304)

- ▼ Distance A +/- 1/8" adjustable
- ▼ Glass drilling ø 23/32" + 1/64"
- ▼ Mounting with ø 5/32" mm cylinder bolt or hook wrench - DIN 1816 (Art. No. Z924)

90°-angle-connector (outer angle)

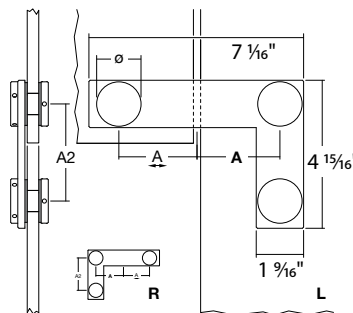


Art. No.	ø	GS	A
USO274EF-AB	1 1/2"	5/6" - 1/2"	211/16"

plain profile 4 3/32" / 4 3/32" x 1 9/16", chamfered framed edge (one-sided), material thickness $t = 1/4"$
 decorative caps ø 1 1/2" with 4 tightening holes
 glass thickness $GS = 5/16" - 1/2"$
 (starting from 15/32" glass use thread pin M3/8" x 1")
 glass protection set
 satin stainless steel (AISI 303/304)

- ▼ Distance A +/- 1/8" adjustable
- ▼ Glass drill holes ø 23/32" + 1/64"
- ▼ Mounting with ø 5/32" cylinder bolt or hook wrench - DIN 1816 (Art. No. Z924)

3-hole-connector skylight



Art. No.	ø	GS	A	A2
USO275L-EF	1 1/2"	5/6" - 1/2"	211/16"	37/32"
USO275R-EF	1 1/2"	5/6" - 1/2"	211/16"	37/32"

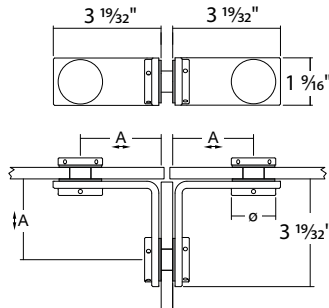
plain profile 7 1/16" / 4 15/16" x 1 9/16", chamfered framed edge (one-sided), notice: right hand and left hand item!, material thickness $t = 1/4"$
 decorative caps ø 1 1/2" with 4 tightening holes
 glass thickness $GS = 5/16" - 1/2"$, glass protection set
 satin stainless steel (AISI 303/304)

- ▼ Distance A only one-sided +/- 1/8" adjustable (for skylight), the other one and A2 are fixed
- ▼ Glass drill holes ø 23/32" + 1/64"
- ▼ Mounting with ø 5/32" cylinder bolt or hook wrench - DIN 1816 (Art. No. Z924)

Flatec glass-Connectors

glass-glass

T-Connector (90°-angle)



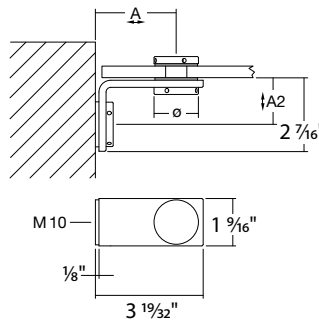
Art. No.	ø	GS	A
USO273EF	1 1/2"	5/6" - 1/2"	2 11/16"

2 x plain p profiles 3 19/32" / 3 19/32" x 1 9/16", chamfered framed edge (one-sided), material thickness $t = 1/4"$, decorative caps ø 1 1/2" with 4 tightening holes, glass thickness GS = 5/6" - 1/2" (starting from 3/8" glass use thread pin M3/8" x 1"), glass protection set satin stainless steel (AISI 303/304)

- ▼ Distance A +/- 1/8" adjustable
- ▼ Glass drilling ø 23/32" + 1/64"
- ▼ Mounting with 5/32" cylinder bolt or hook wrench - DIN 1816 (Art. No. Z924)

glass-wall

90°-Connector

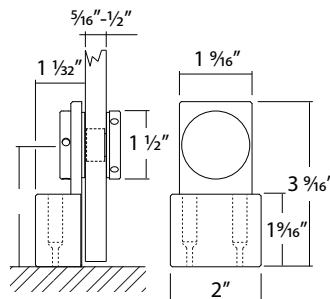


Art. No.	ø	GS	A	A2
USO270EF	1 1/2"	5/6" - 1/2"	2 11/16"	1 17/32"

plain profile 3 19/32" / 2 7/16" x 1 9/16", chamfered framed edge (one-sided), material thickness $t = 1/4"$, decorative caps ø 1 1/2" with 4 tightening holes glass thickness GS = 5/6" - 1/2" (starting from 7/16" glass use thread pin M3/8" x 1") glass protection set satin stainless steel (AISI 303/304)

- ▼ Distance A +/- 1/8" adjustable
- ▼ Glass drilling ø 23/32" + 1/64"
- ▼ Mounting with ø 5/32" cylinder bolt or hook wrench - DIN 1816 (Art. No. Z924)

glass-floor



Art. No.	ø	GS	A	A2
110.00155	1 1/2"	5/6" - 1/2"	2 11/16"	1 17/32"

plain profile 3 19/32" x 1 9/16", chamfered framed edge (one-sided), material thickness $t = 1/4"$, decorative caps ø 1 1/2" with 4 tightening holes glass thickness GS = 5/6" - 1/2" (starting from 7/16" glass use thread pin M3/8" x 1") glass protection set satin stainless steel (AISI 303/304)

- ▼ Distance A +/- 1/8" adjustable
- ▼ Glass drilling ø 23/32" + 1/64"
- ▼ Mounting with ø 5/32" cylinder bolt or hook wrench - DIN 1816 (Art. No. Z924)





Beyerle US L.L.C.

5126 S Royal Atlanta Dr.
Tucker, GA 30084, USA
Phone: + 1 (770) 349-6324
Fax: + 1 (770) 934-3384
info@beyerle-us.com
www.beyerle-us.com

ABP  **beyerle**
inspiration.quality

