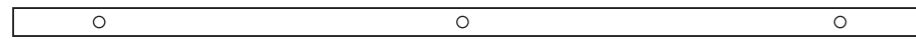
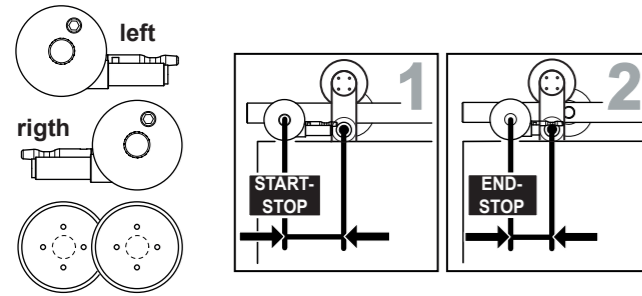


1 Set sliding door fittings Flatec II

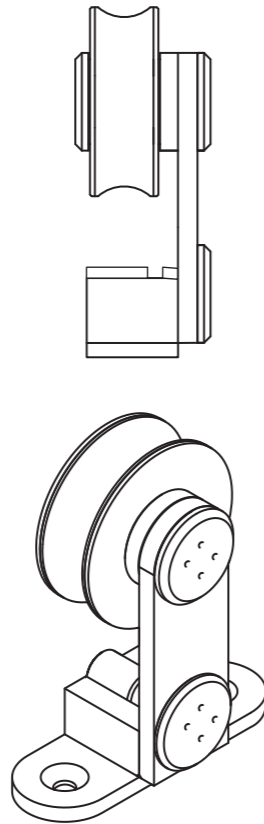
2 Guide rail



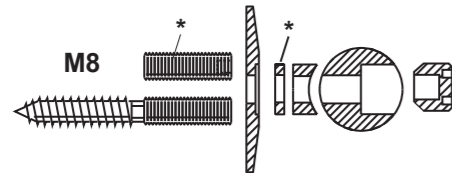
3 Door stoppers Soft-Tec



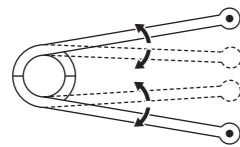
4 Trolley complete



5 Wall fixtures
(without screws and dowels, at construction site)



6 Special tool



7 Bottom guide



(without screws and dowels, at construction site)

Set Flatec II	Set / Each						
1 Art.-No.	2	3	4	5	6	7	
110.00129	1	2	2	3	1	1	
110.00130	1	2	2	4	1	1	
110.00131	1	2	2	4	1	1	
110.00132	1	2	2	4	1	1	

! Comply with all general safety regulations when installing the sliding door fittings!

Installation to be completed by qualified licensed contractor.

Be sure to tighten all screw connections one week after starting to use the sliding door fittings!

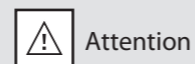
Never use scouring agents to clean the sliding door fittings; rather use commercially available stainless-steel cleaners!

ABP beyerle

ABP-Beyerle GmbH

Im Schollengarten 24 b, D - 76646 Bruchsal (Germany)

Tel. + 49 - (0) 7257 / 9127 - 0, Fax + 49 - (0) 7257 / 9127 - 29, Email info@abp-beyerle.de, www.abp-beyerle.de



Attention



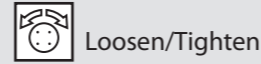
Screw on



Screw on



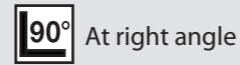
Screw on



Loosen/Tighten



Install



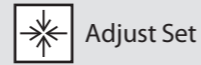
At right angle



Drill



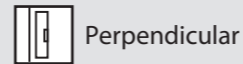
Dowels



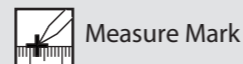
Adjust Set



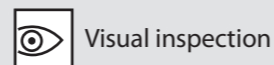
Level



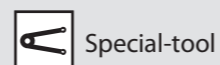
Perpendicular



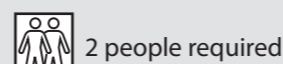
Measure Mark



Visual inspection



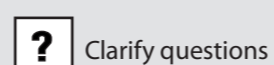
Special-tool



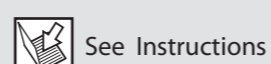
2 people required



Measure



Clarify questions



See Instructions



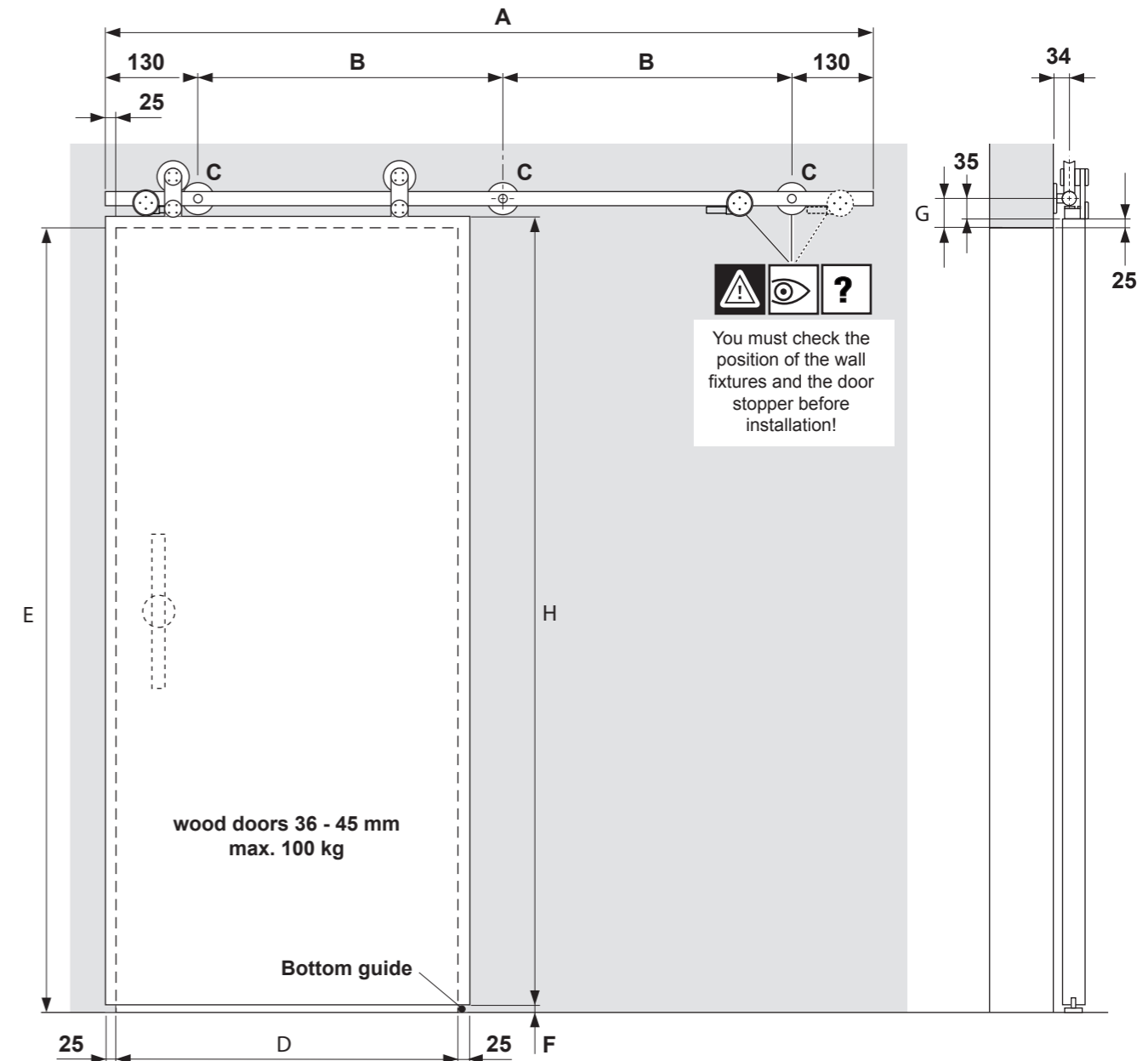
Secure

65 30 00.0133_Flatec II_DS-092015jb

Installation instructions

Sliding door fittings Flatec II

for wood doors (36 - 45 mm) with Soft-Tec Stopper



Complete-Set's

Set Flatec II Art.-No.	A mm	B mm	C Each	D mm	E max. mm	F mm	G mm	H max. mm (H=E-F+25)
110.00129	1800	770	3	750-900	2500	7-10	60	2518
110.00130	2100	613,3	4	910-1000	2500	7-10	60	2518
110.00131	2300	680	4	1010-1120	2500	7-10	60	2518
110.00132	2540	760	4	1130-1250	2500	7-10	60	2518

Right to make technical changes reserved - Dimensions in mm - Version 09.2015
© by ABP-Beyerle GmbH

ABP beyerle

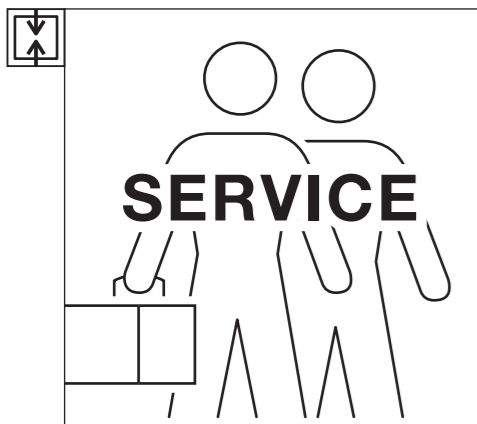


Abb. 1

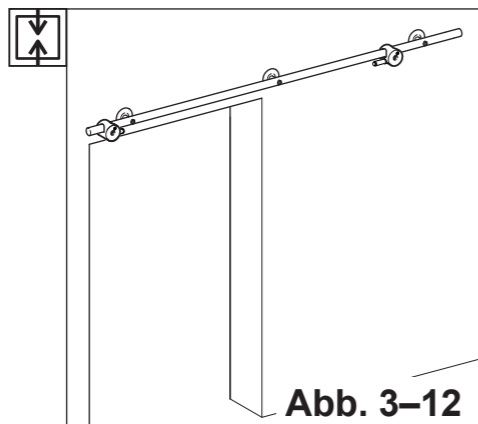


Abb. 2

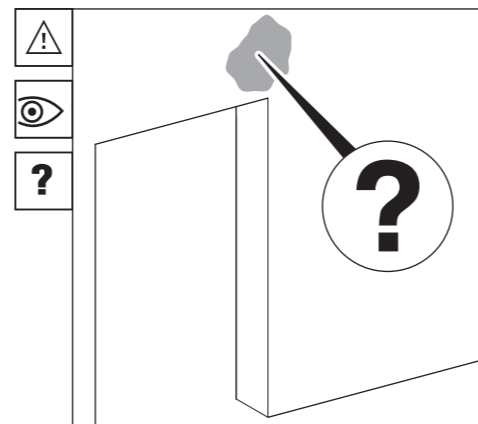


Abb. 3

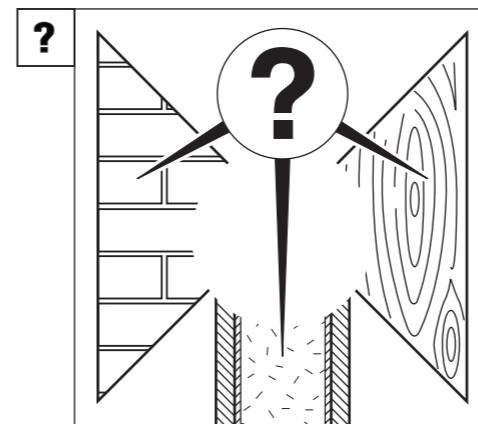


Abb. 4

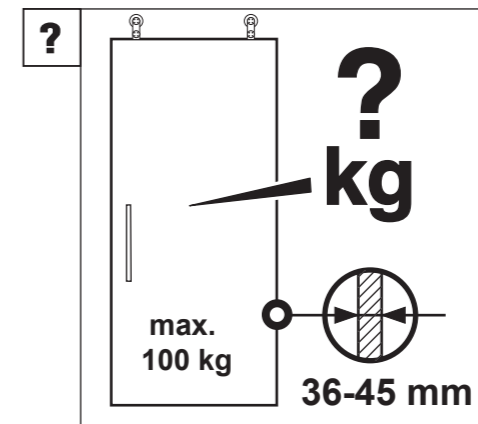


Abb. 5

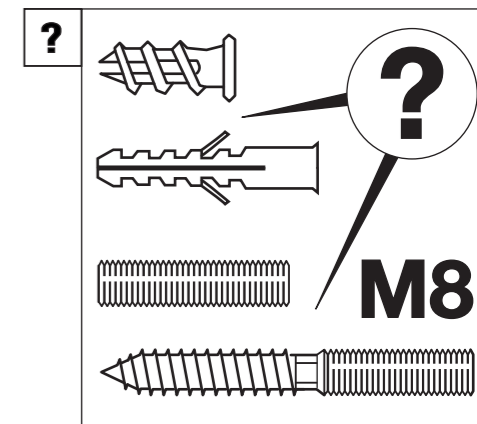


Abb. 6

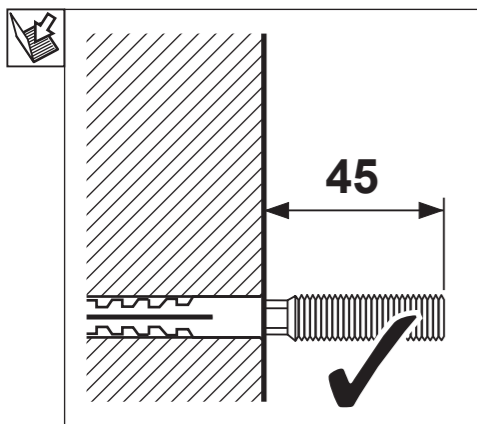


Abb. 7

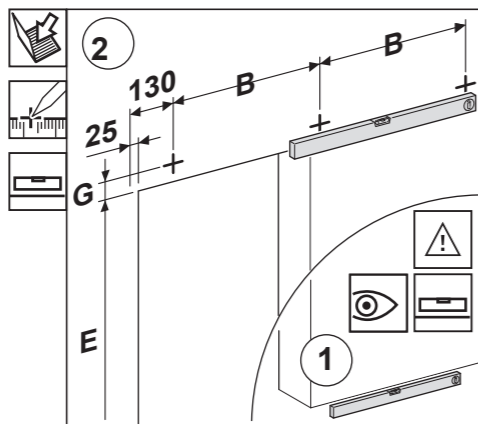


Abb. 8

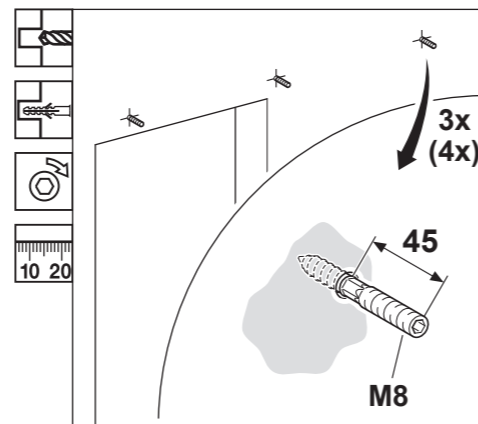


Abb. 9

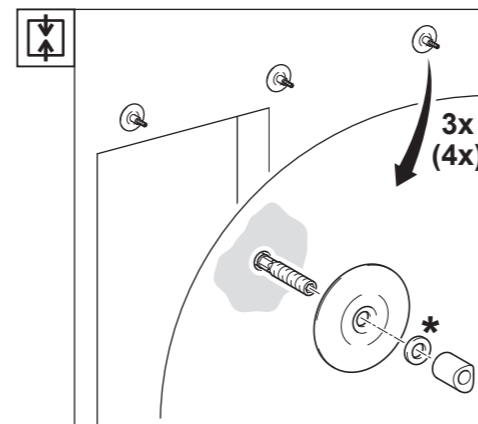


Abb. 10

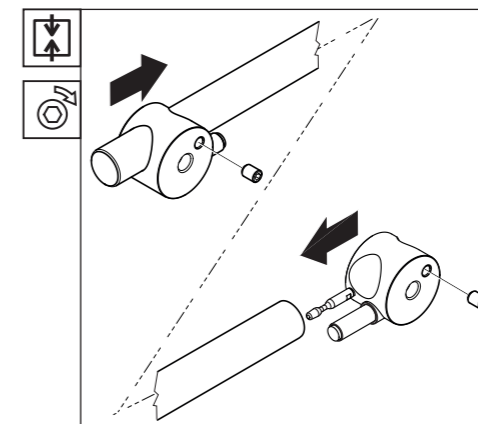


Abb. 11

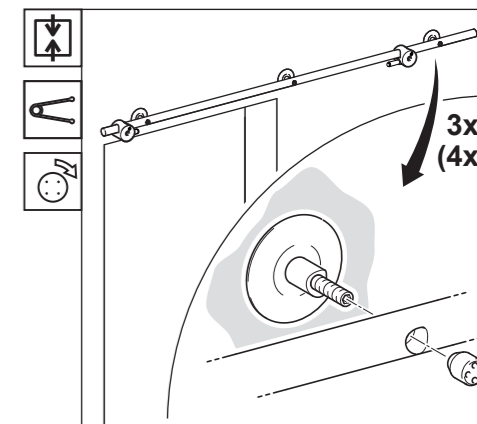


Abb. 12

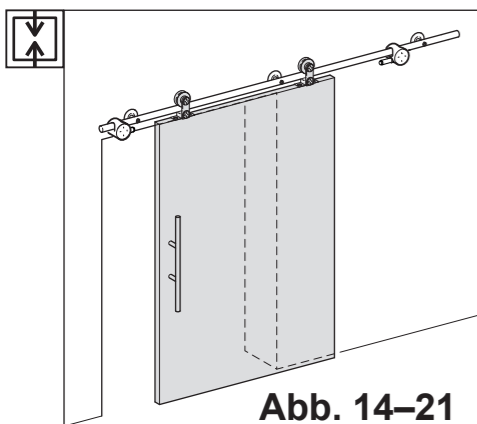


Abb. 14-21

Abb. 13

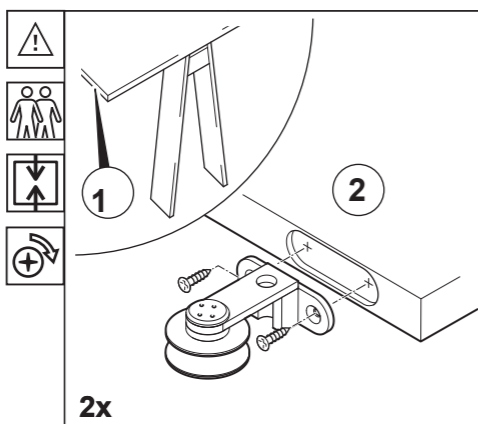


Abb. 14

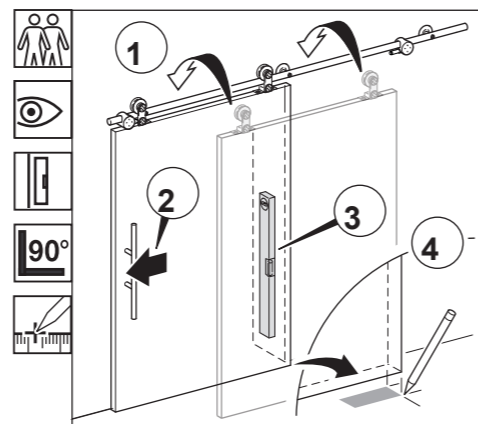


Abb. 15

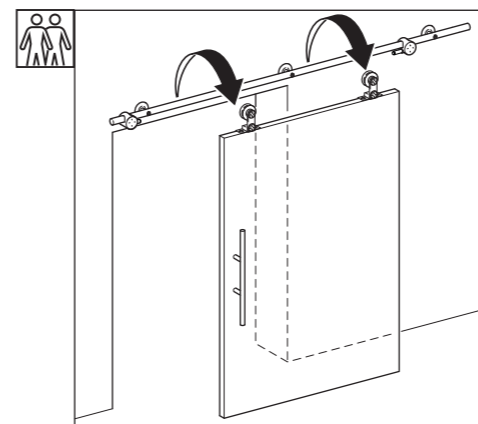


Abb. 16

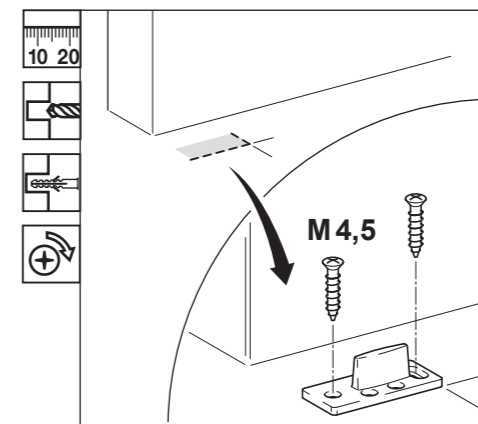


Abb. 17

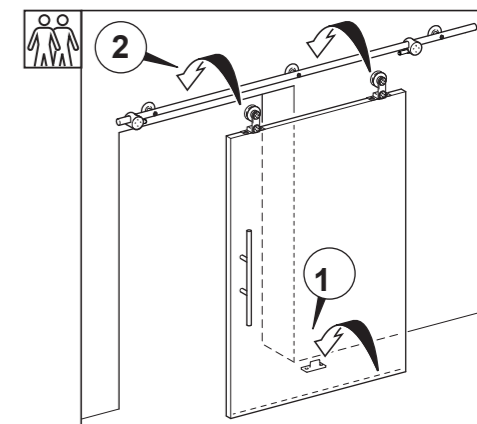


Abb. 18

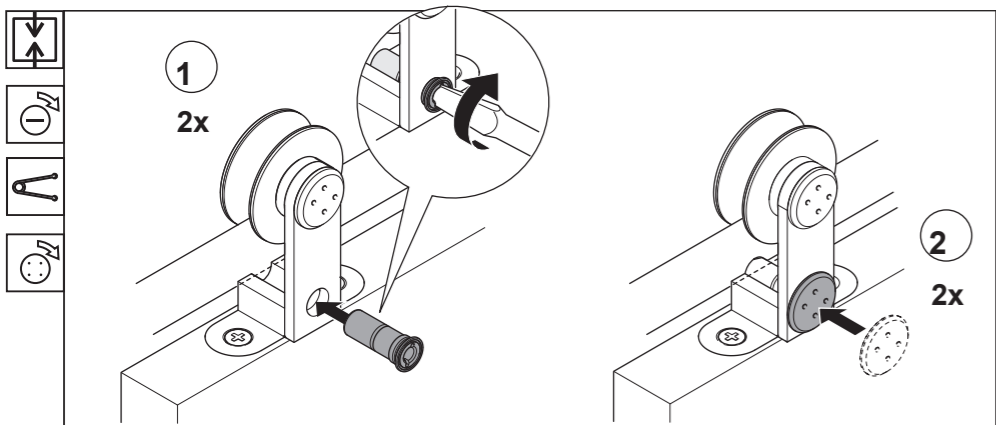


Abb. 19

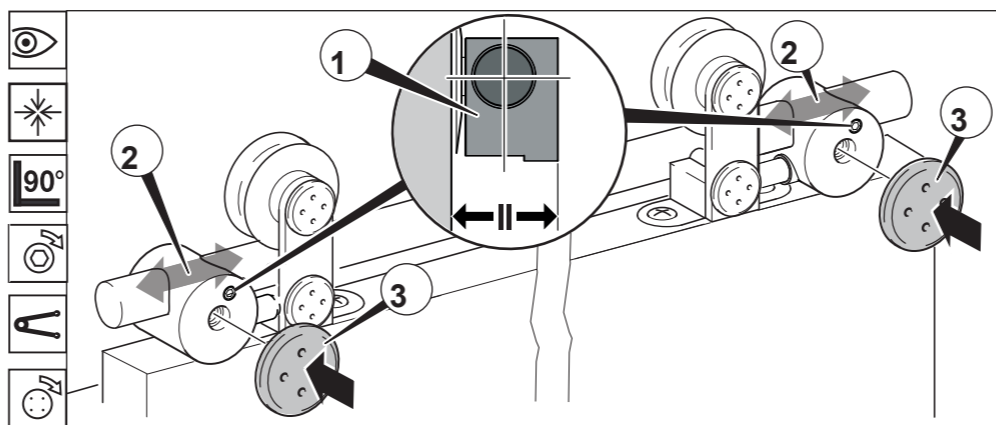


Abb. 20

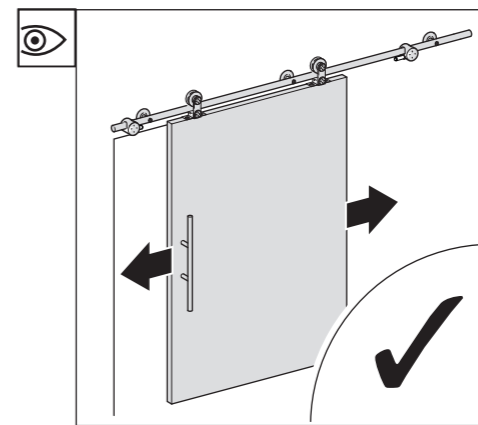


Abb. 21