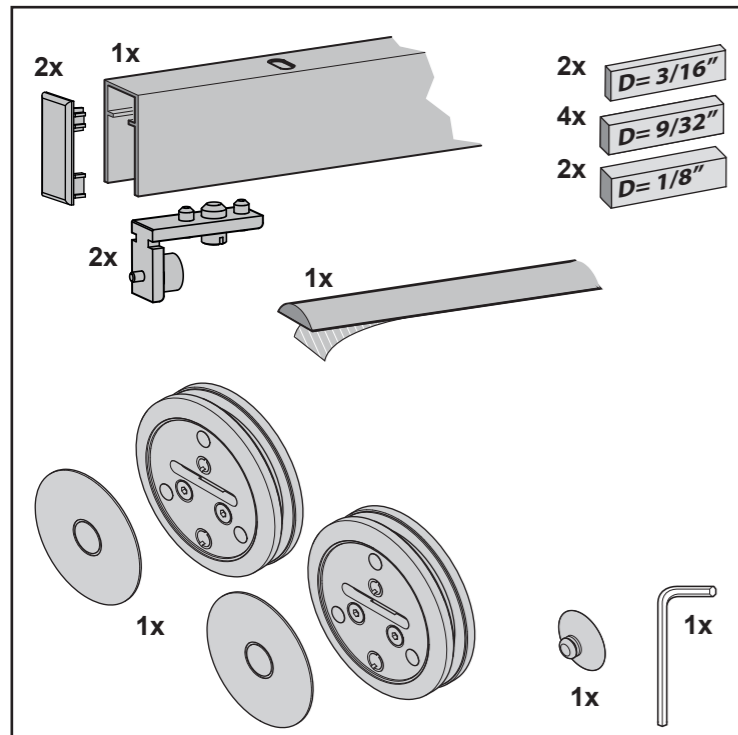
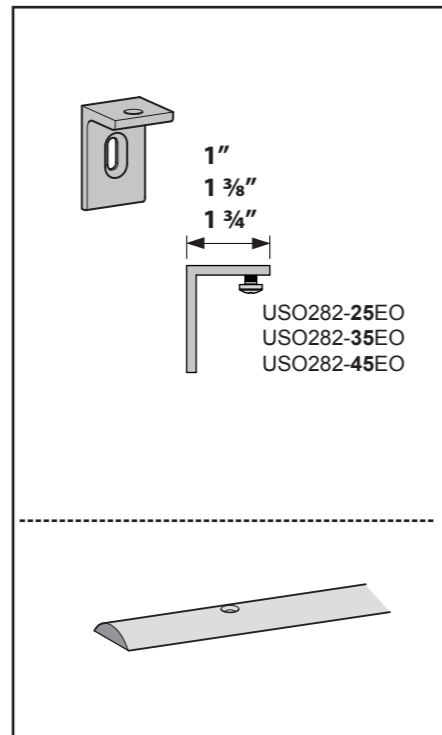


Complete-set

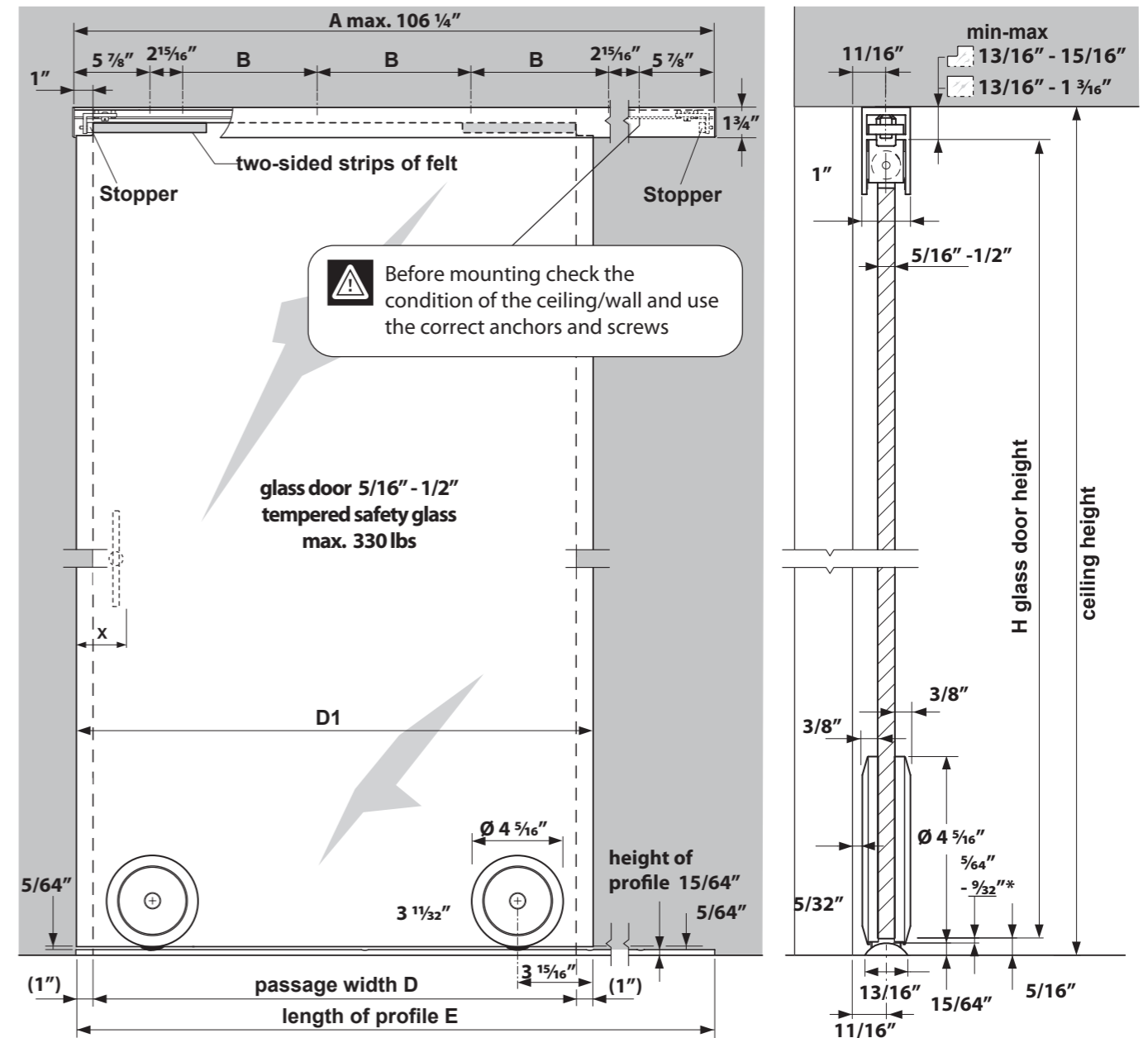


Optional



- Attention
- Screw on
- Screw on
- Drill
- Dowels
- Level
- Perpendicular
- Measure Mark
- Visual inspection
- Tool
- Tool
- Measure
- Clarify questions
- At right angle
- 2 people required

Installation instructions Full Moon sliding door fittings Econoline for glass door (t 5/16" - 1/2")



A Inch	B Inch	D Inch	E Inch
74 3/16"	28 1/2"	29 1/2" - 35 7/16"	74 3/16"
82 11/16"	21 5/8"	35 13/16" - 39 3/8"	82 11/16"
92 1/2"	24 15/16"	39 3/4" - 44 1/16"	92 1/2"
102 3/8"	28 3/16"	44 1/2" - 49 3/16"	102 3/8"

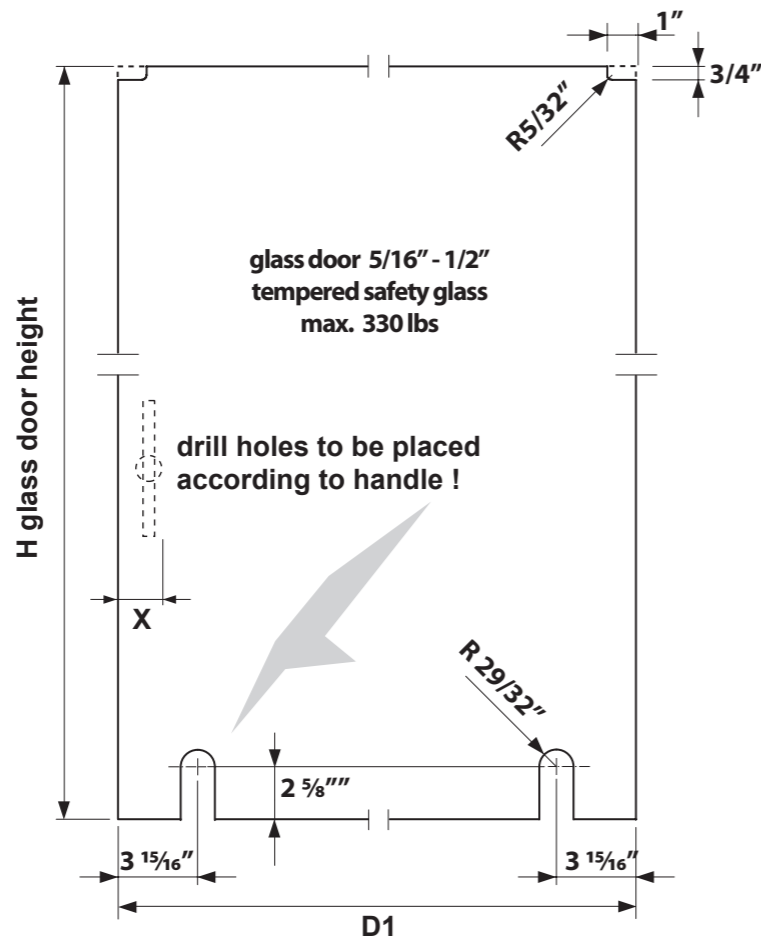
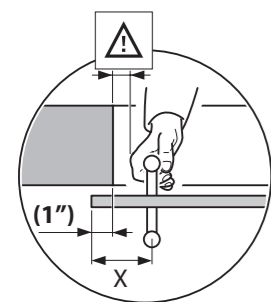
Comply with all general safety regulations when installing the sliding door fittings!

Installation to be completed by qualified licensed contractor.

Be sure to tighten all screw connections one week after starting to use the sliding door fittings!

Never use scouring agents to clean the sliding door fittings; rather use commercially available stainless-steel cleaners!

Make door handle clearance so that fingers do not get pinched when the door is used!



ABP beyerle

Beyerle US L.L.C.

5126 S Royal Atlanta Dr., Tucker, GA 30064

Phone (770) 349 - 6324, Fax (770) 934 - 3384, mail: info@beyerle-us.com, www.beyerle-us.com

65_30_00.0081_US_fullmoon_eco_glass_042015-jb

Right to make technical changes reserved - Dimensions in (Inch) - Version 04.2015
© by ABP-Beyerle GmbH

ABP beyerle

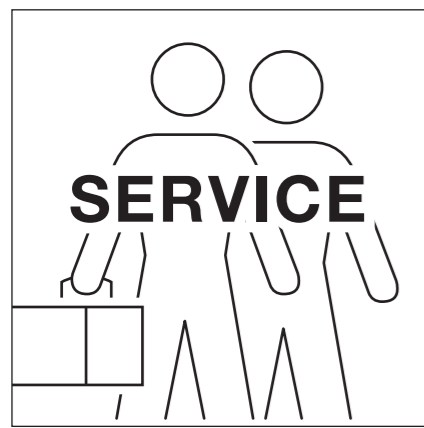


Abb. 1

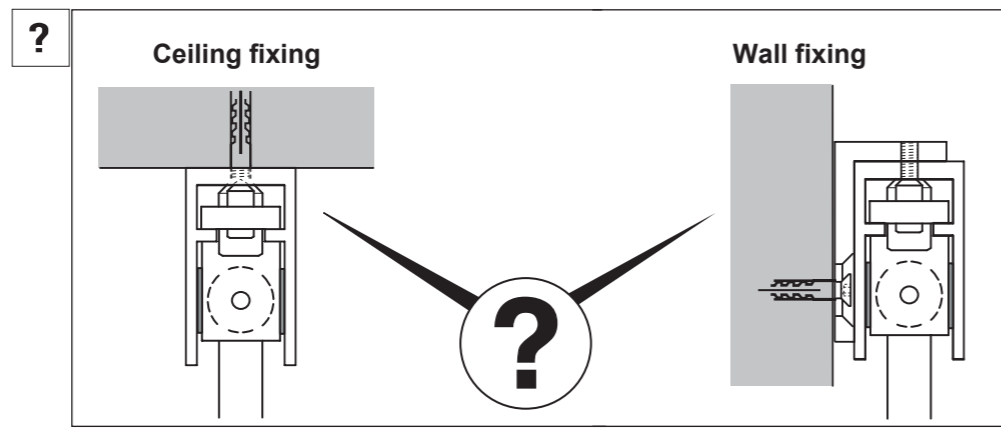


Abb. 2

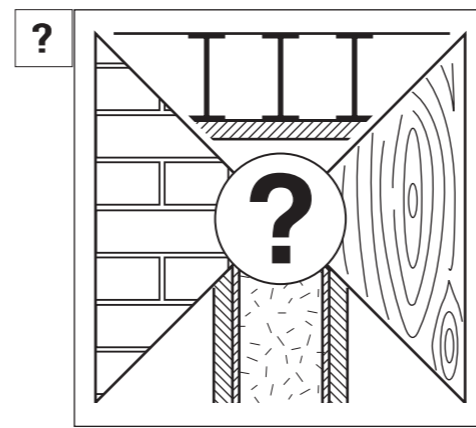


Abb. 3

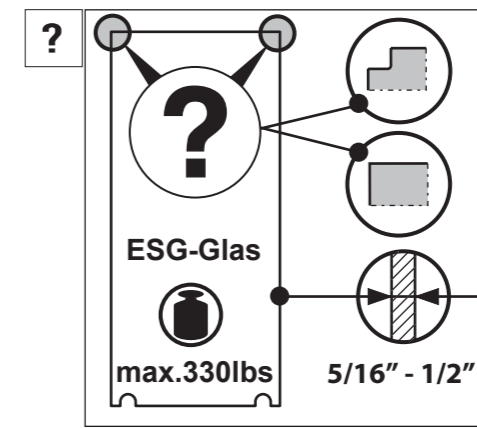


Abb. 4

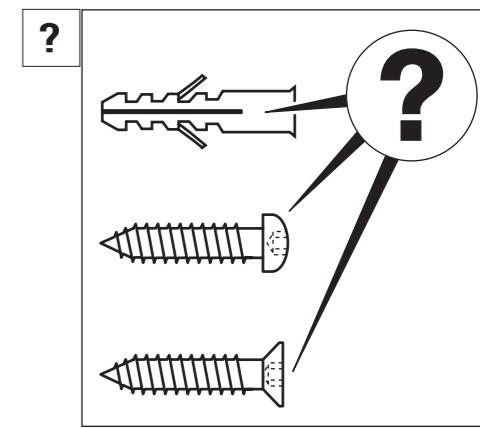


Abb. 5

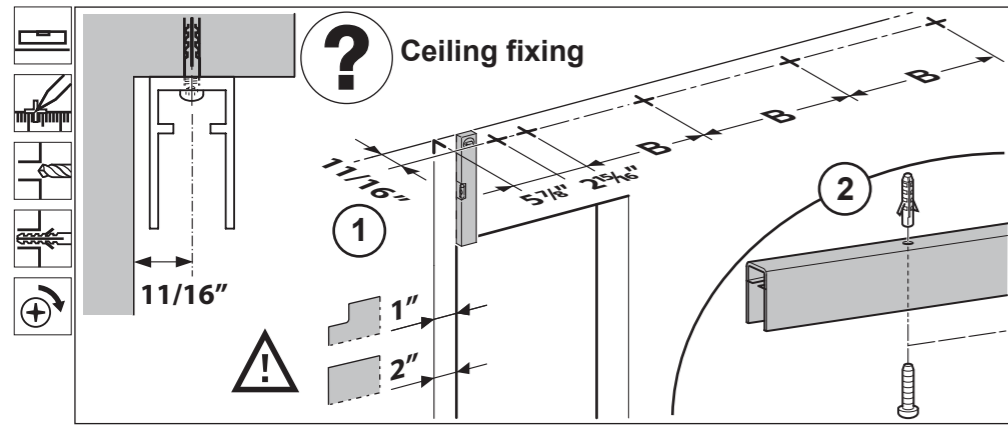


Abb. 6

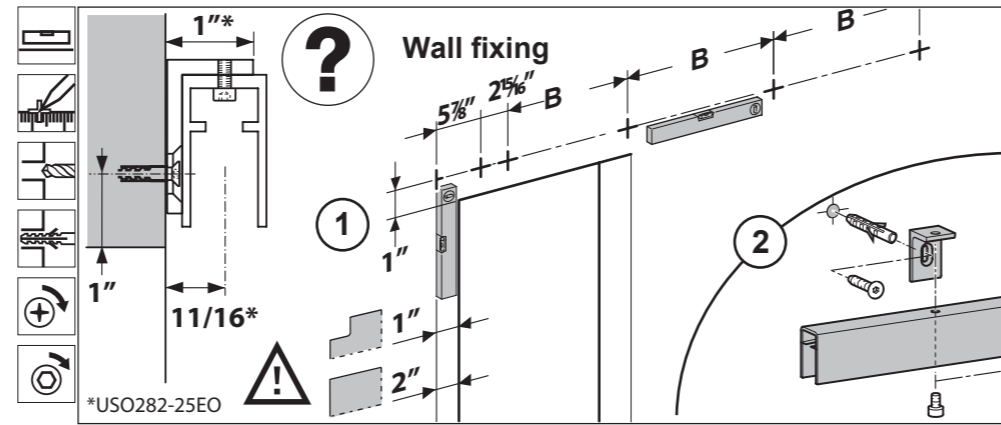


Abb. 7

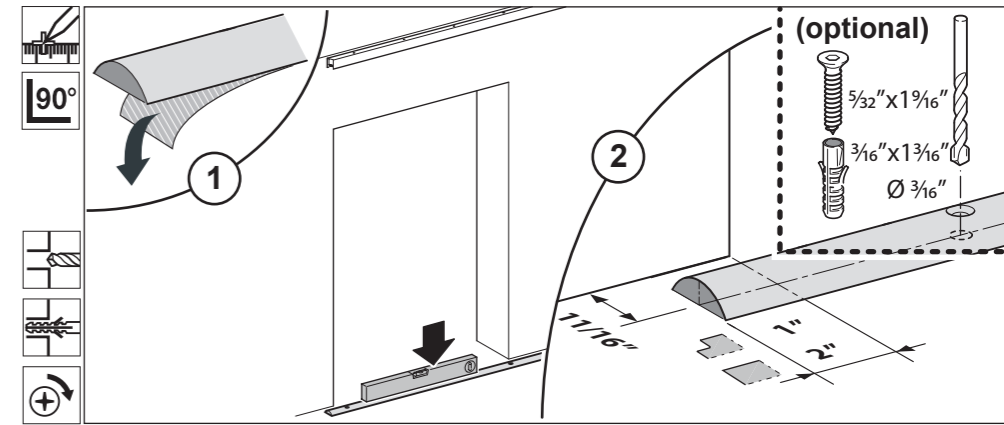


Abb. 8

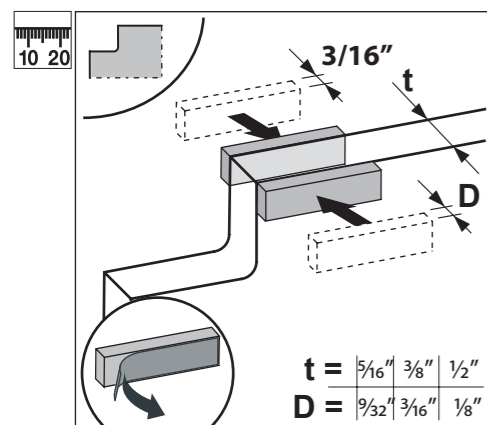


Abb. 9

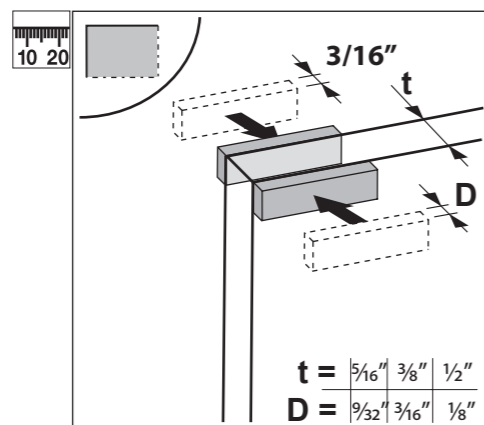


Abb. 10

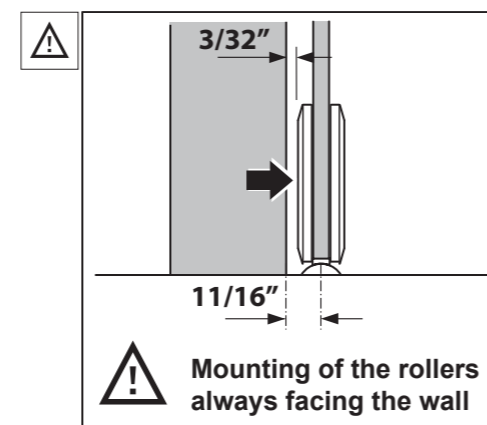


Abb. 11

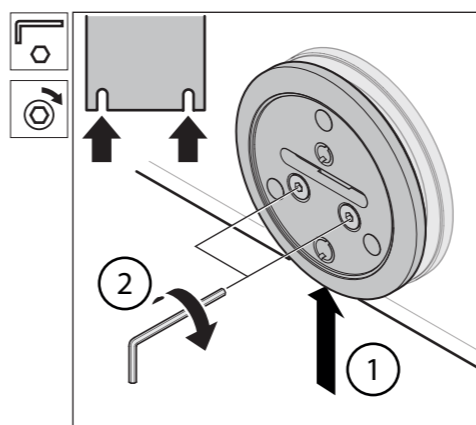


Abb. 12

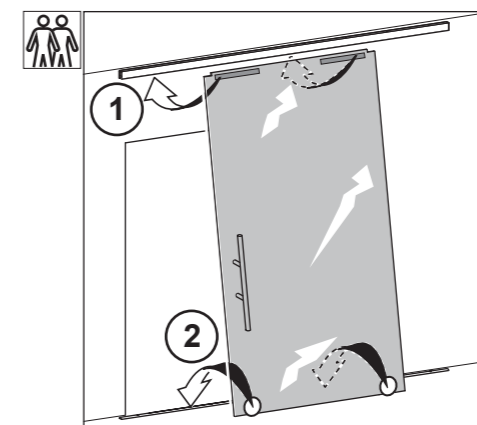


Abb. 13

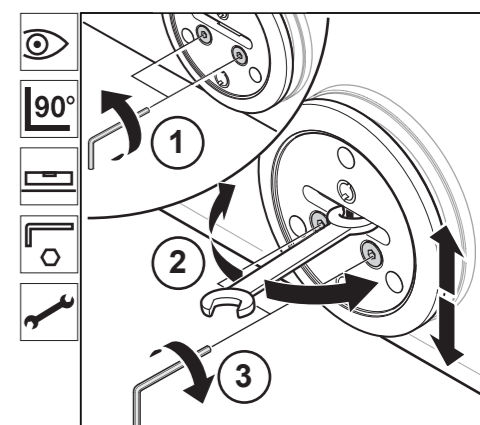


Abb. 14

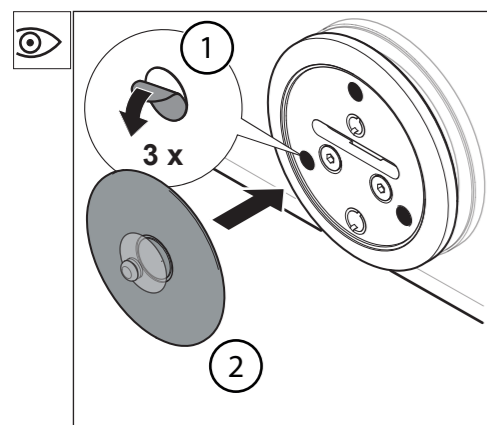


Abb. 15

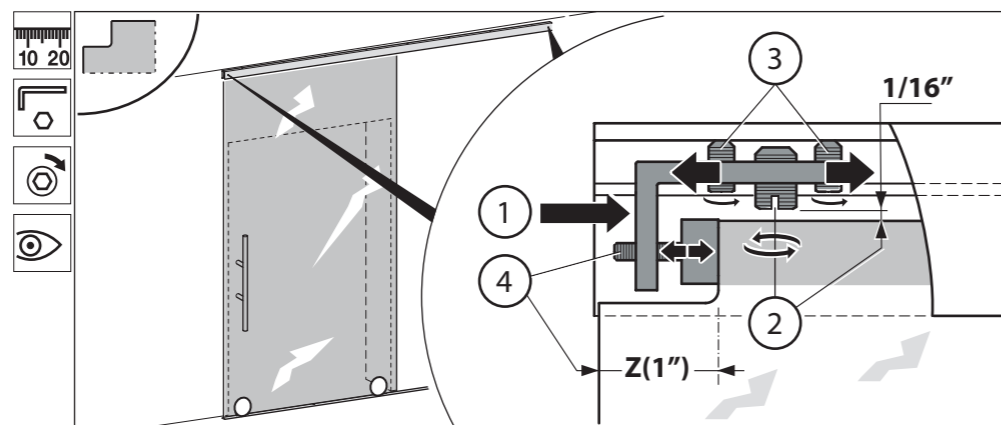


Abb. 16

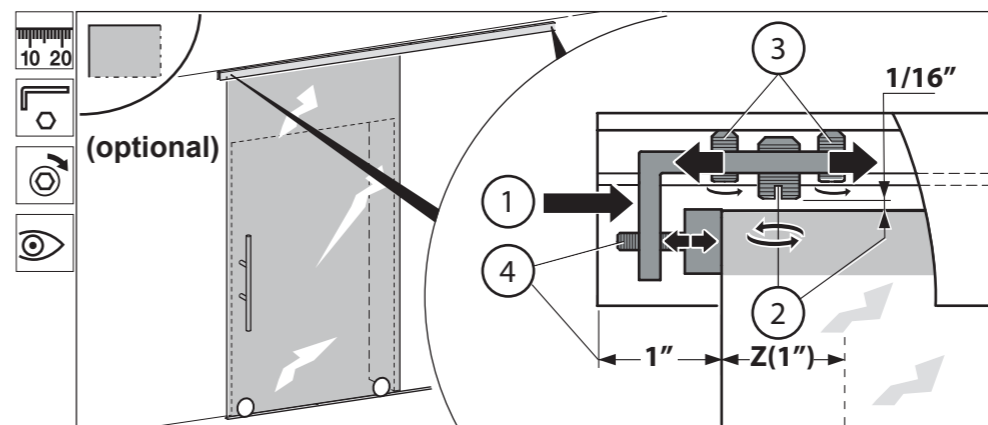


Abb. 17

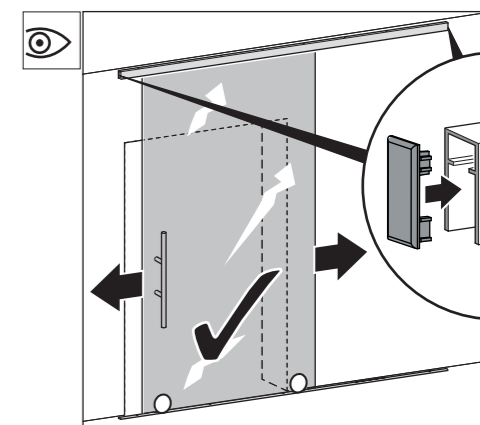


Abb. 18