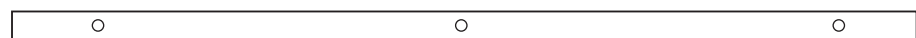
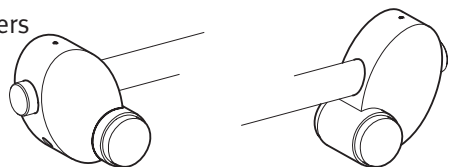


1 Set sliding door fittings Skater

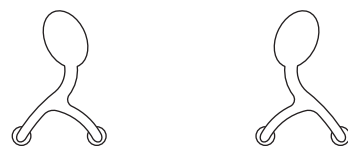
2 Guide rail



3 Door stoppers
1x left
and
1x right

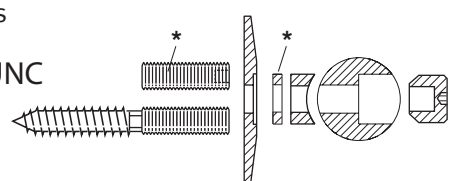


4 Trolley complete
1x left and 1x right



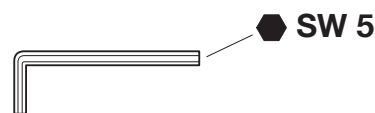
5 Wall fixtures

5/16"-18UNC



(without dowels, at construction site)
* not included in scope of delivery.

6 Special tool



7 Bottom guide



(without dowels and screws, at construction site)

Set Skater Art. No.	Set / Each					
1	2	3	4	5	6	7
USU92-1800EF	1	2	2	3	1	1
USU92-2100EF	1	2	2	4	1	1
USU92-2300EF	1	2	2	4	1	1
USU92-2540EF	1	2	2	4	1	1

! Comply with all general safety regulations when installing the sliding door fittings!

Be sure to tighten all screw connections one week after starting to use the sliding door fittings!

Never use scouring agents to clean the sliding door fittings; rather use commercially available stainless-steel cleaners!

Beyerle US L.L.C., AB5/16"-18UNC-Beyerle, its subsidiaries and agents are not responsible or liable for damage or injury to any persons or property due to improper installation of its products. All liabilities reside solely with the installer.

ABP **beyerle**

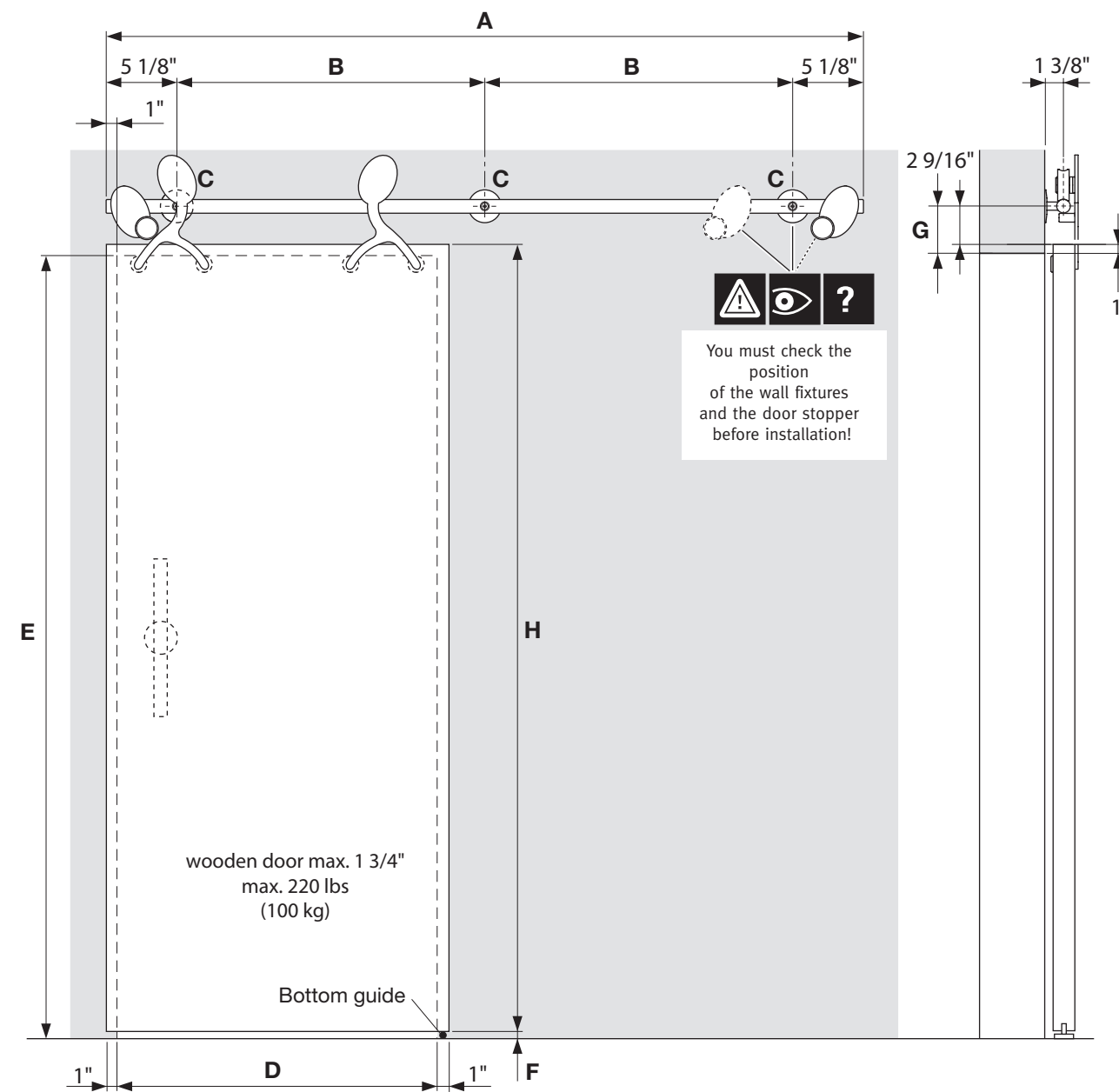
Beyerle US L.L.C.
1294 Logan Circle NW, Atlanta, GA 30318
Phone (404) 350-9738, Fax (404) 355-0166, www.beyerle-us.com

- Attention
- Screw on
- Screw on
- Screw on
- Loosen / Tighten
- Install
- At right angle
- Drill
- Dowels
- Adjust Set
- Level
- Perpendicular
- Measure Mark
- Visual inspection
- Special-tool
- 2 people required
- Measure
- Clarify questions
- See instructions
- Secure

Installation instructions

Sliding door fittings Skater

for wooden doors (max. 1 3/4" thickness)



Complete-sets

Set Skater Art. No.	A inch	B inch	C Each	D inch	E max. inch	F inch	G inch	H max. inch (H = E - F + 1")
USU92-1800EF	70 7/8"	30 5/16"	3	29 1/2" - 35 7/16"	98 7/16"	1/4" - 3/8"	3 9/16"	99 1/8"
USU92-2100EF	82 11/16"	24 1/8"	4	35 13/16" - 39 3/8"	98 7/16"	1/4" - 3/8"	3 9/16"	99 1/8"
USU92-2300EF	90 9/16"	26 3/4"	4	39 3/4" - 44 1/16"	98 7/16"	1/4" - 3/8"	3 9/16"	99 1/8"
USU92-2540EF	100"	29 15/16"	4	44 1/2" - 49 3/16"	98 7/16"	1/4" - 3/8"	3 1/16"	99 1/8"

Right to make technical changes reserved - Dimensions in inch - Version 02.2013
© by ABP-Beyerle GmbH

ABP **beyerle**

USU92_MONT_US_02-2013

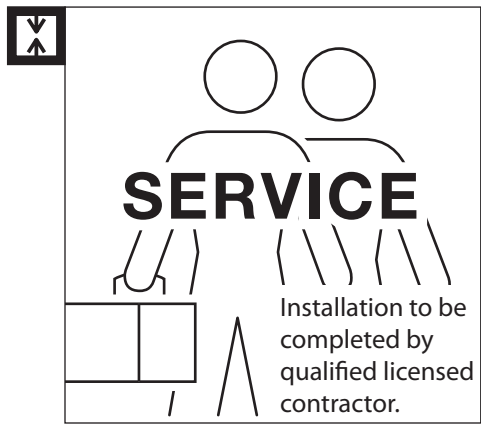


Fig. 1

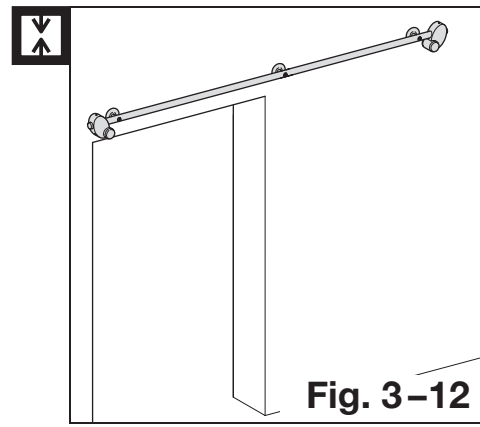


Fig. 3-12

Fig. 2

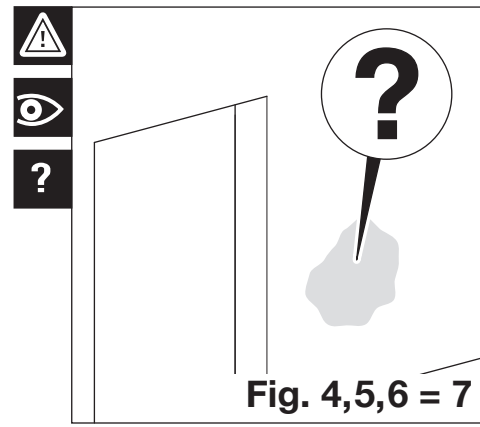


Fig. 4,5,6 = 7

Fig. 3

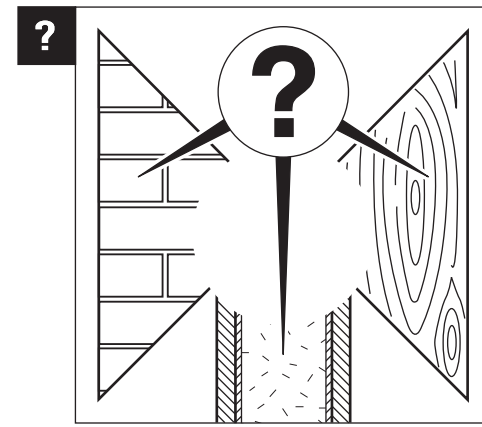


Fig. 4

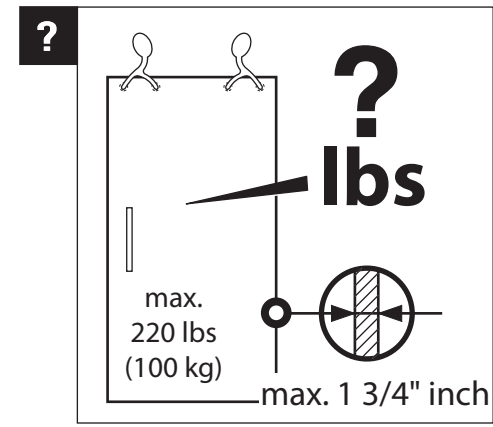


Fig. 5

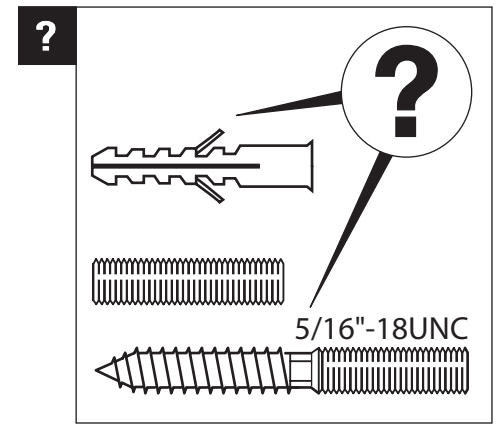


Fig. 6

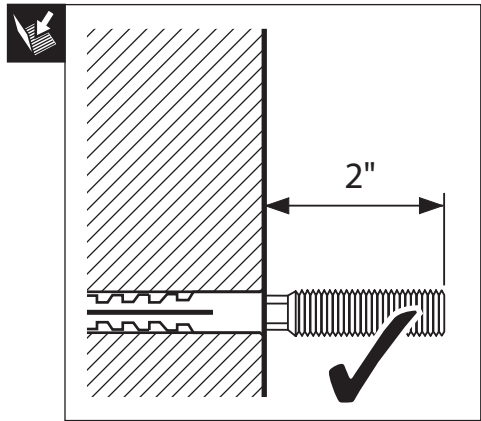


Fig. 7

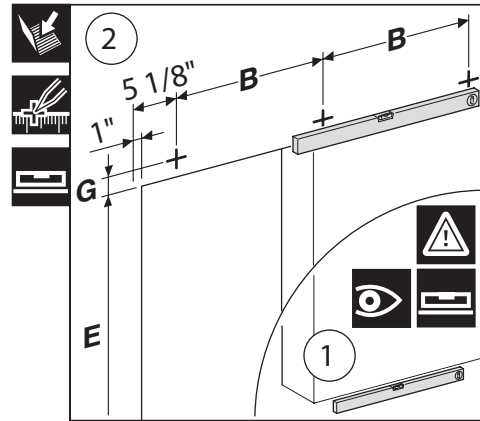


Fig. 8

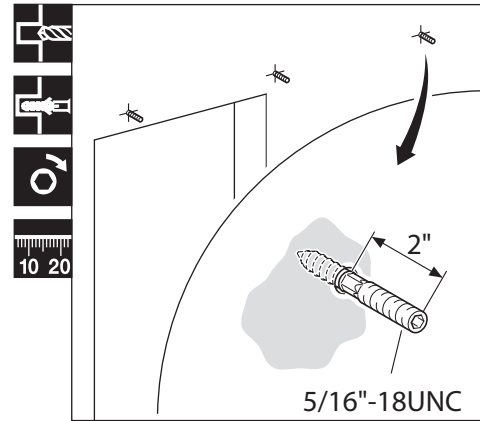


Fig. 9

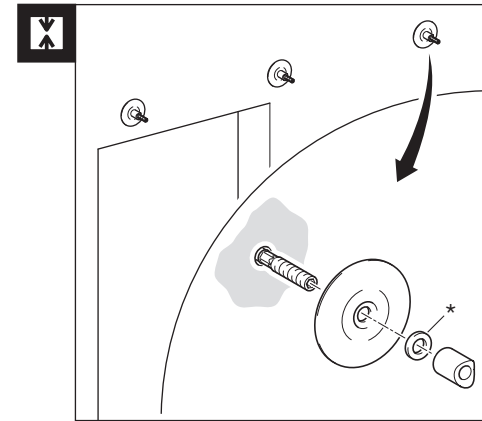


Fig. 10

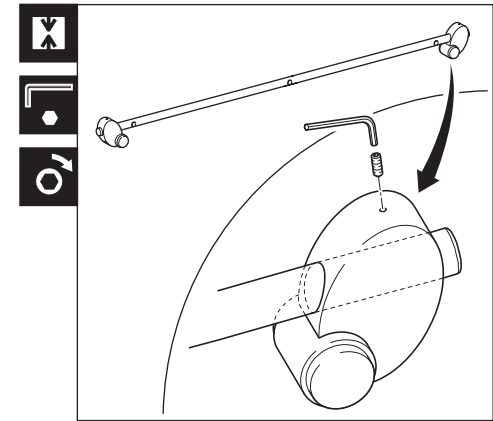


Fig. 11

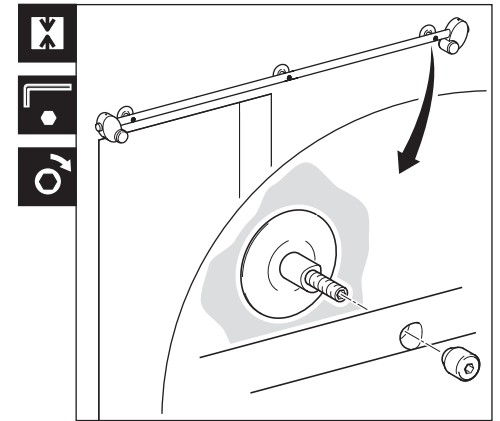


Fig. 12

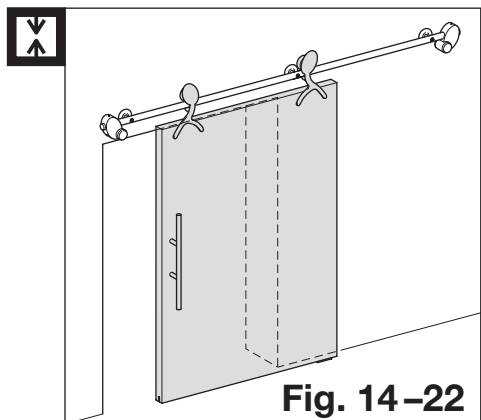


Fig. 13

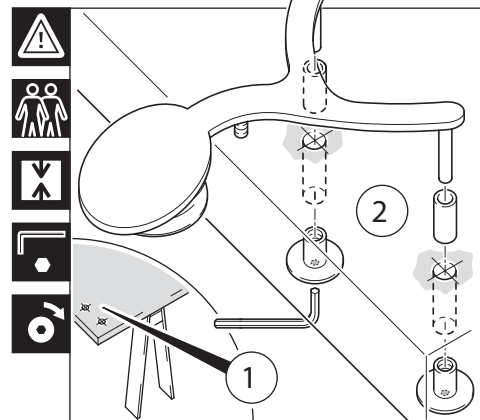


Fig. 14

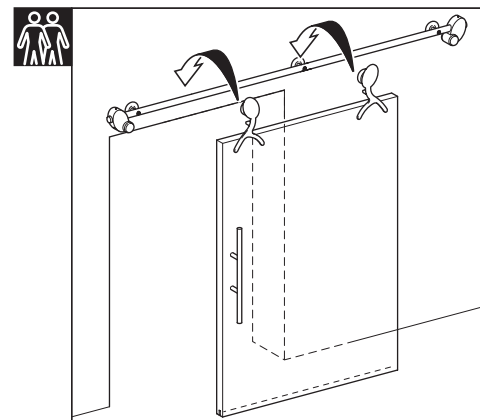


Fig. 15

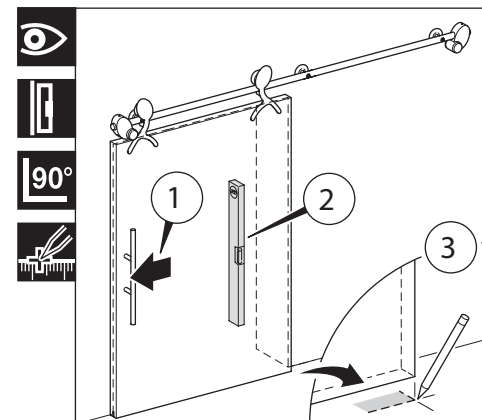


Fig. 16

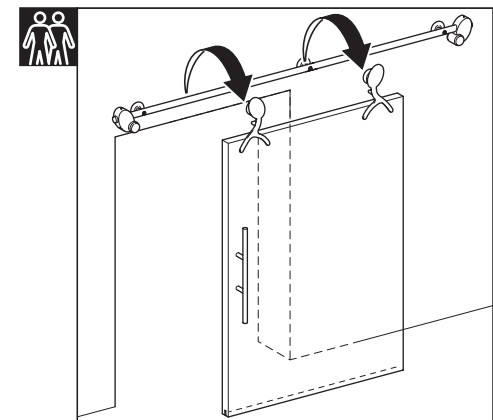


Fig. 17

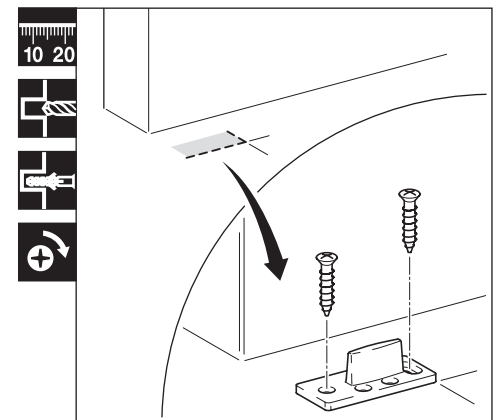


Fig. 18

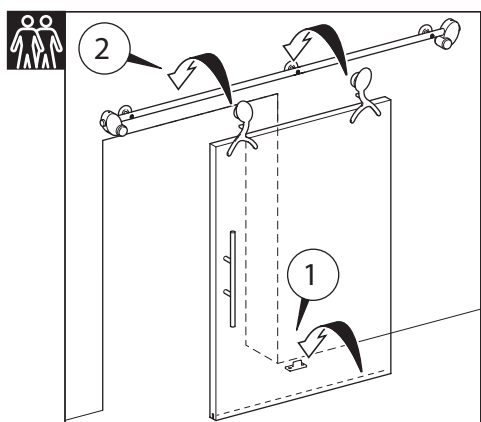


Fig. 19

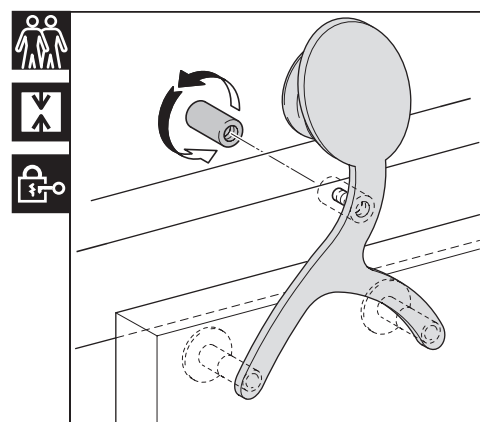


Fig. 20

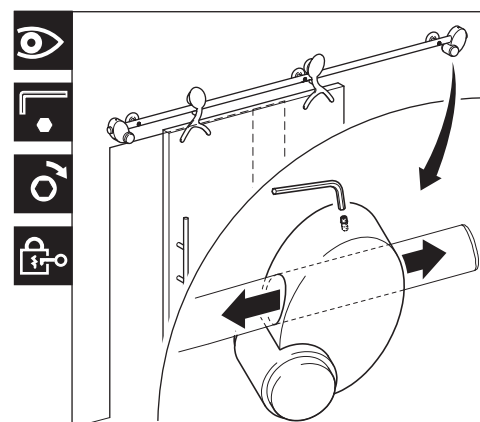


Fig. 21

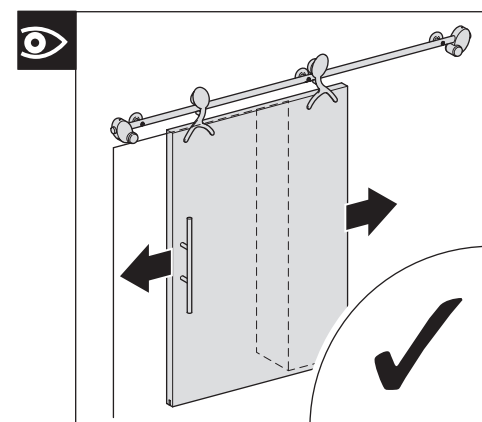


Fig. 22