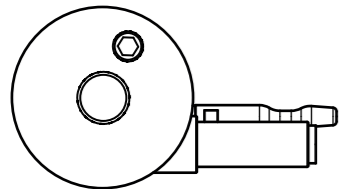
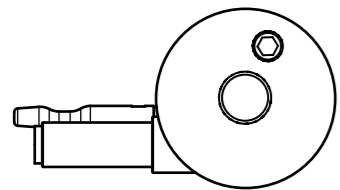


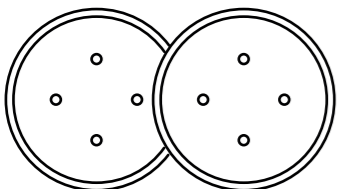
Soft-Tec



1 x Soft-Tec left



1 x Soft-Tec right



2 x decorative screw



Comply with all general safety regulations when installing the soft-tec !

All screw connections must be re-fastened 1 week after installation!

For cleaning the soft-tec set set, abrasives must not be used.
Use common stainless steel cleaning agents only!

ABP  **beyerle**

Beyerle US L.L.C.

5126 South Royal Atlanta Drive , Tucker, GA 30084, USA

Phone (770) 349 - 6324 , Fax (770) 934 - 3384 , mail: info@beyerle-us.com, www.beyerle-us.com



Attention



fasten



fasten



loosen



loosen



loosen /
fasten



sight check



special tool



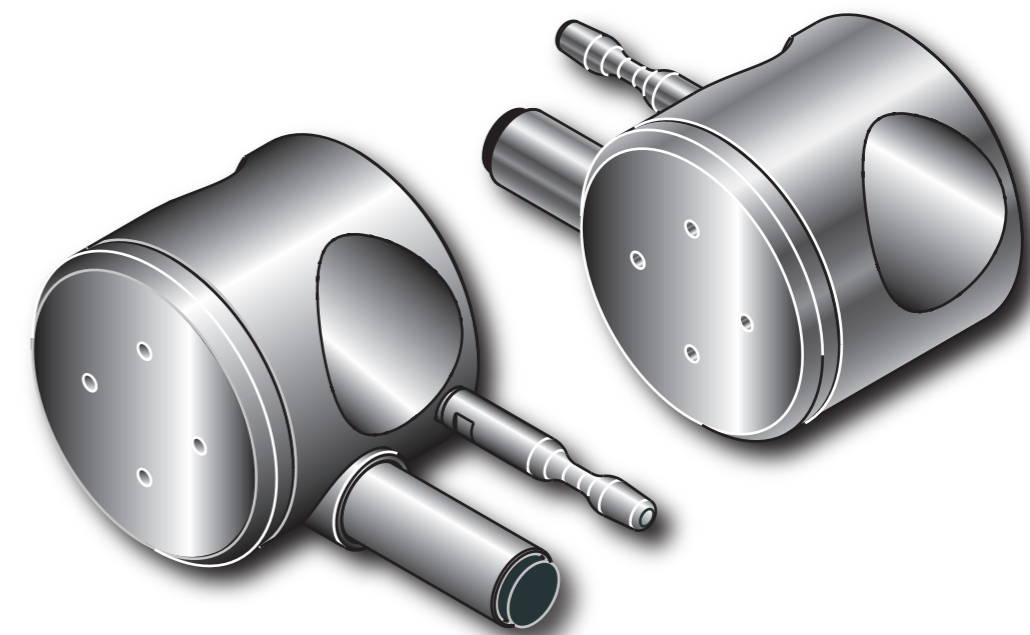
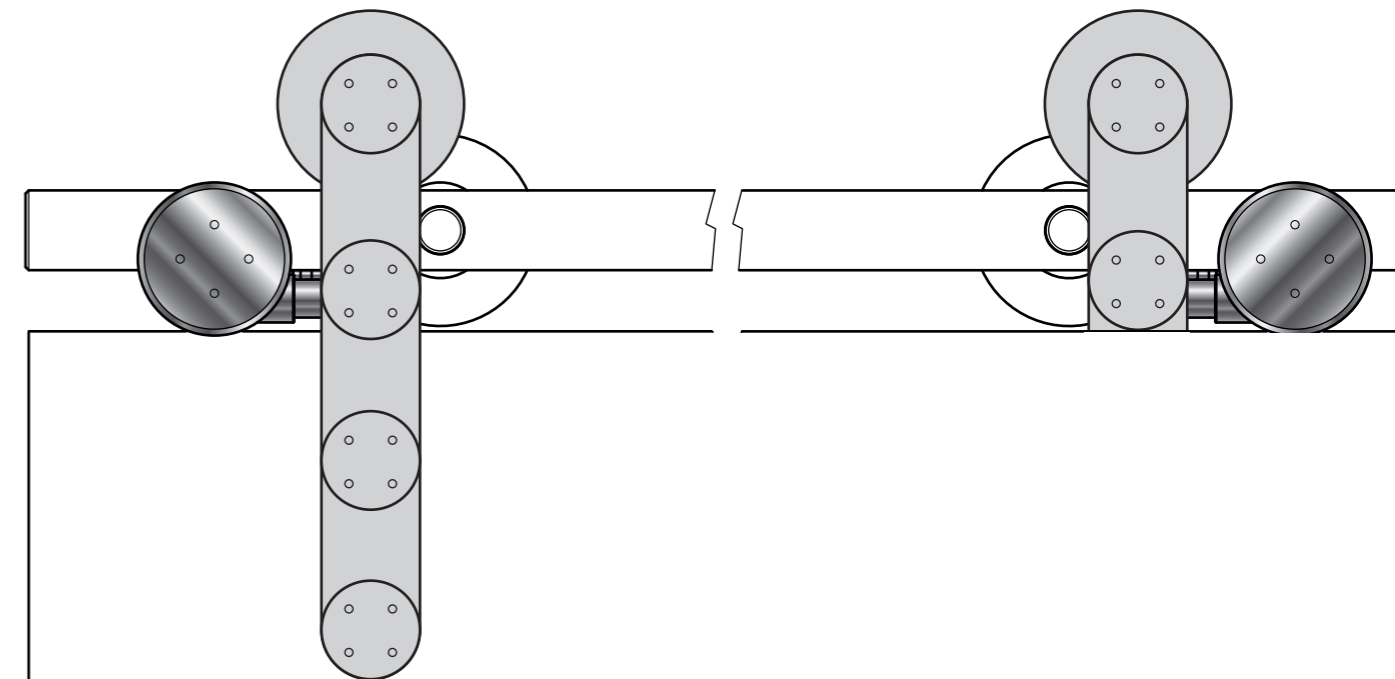
measure

65 30 00.0026_Soft-Tec_Flatec_US_2014_11jb

Installation instruction

Soft-Tec for Flatec I and Flatec II

for glass- and wood doors



technical amendments - reserved in mm - Date 05.2015
© by ABP-Beyerle GmbH

ABP  **beyerle**

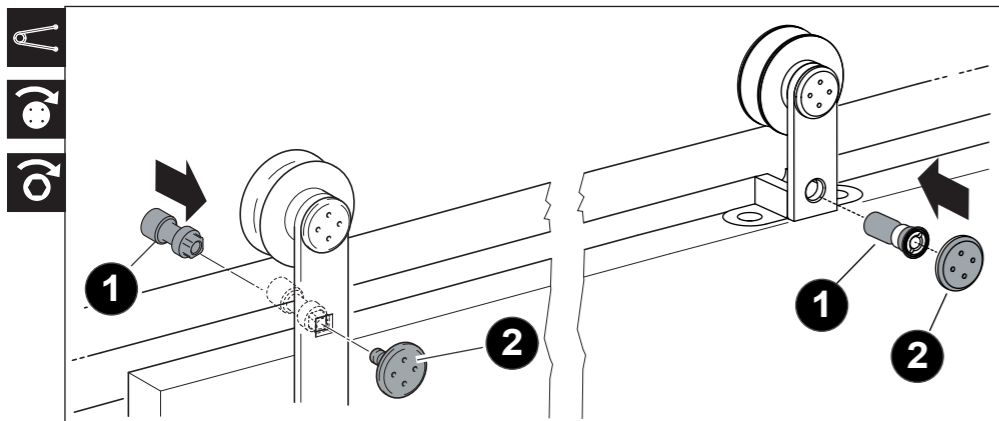
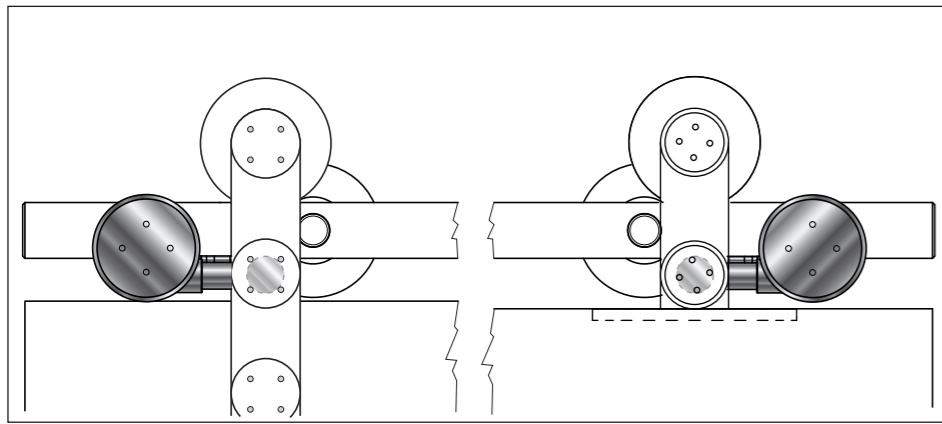


Abb. 1

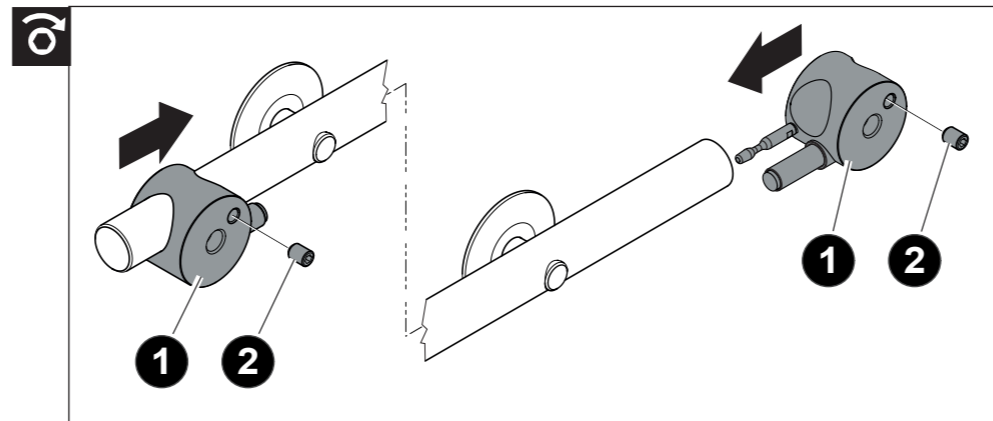


Abb. 2

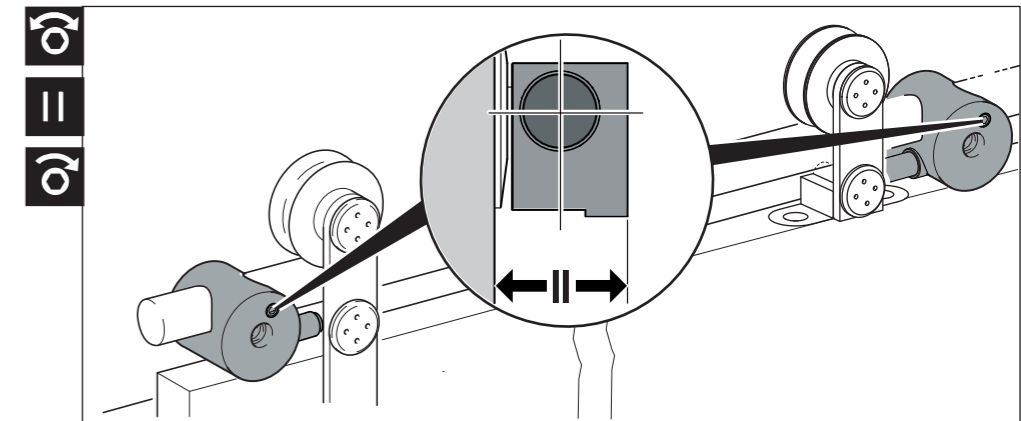


Abb. 3

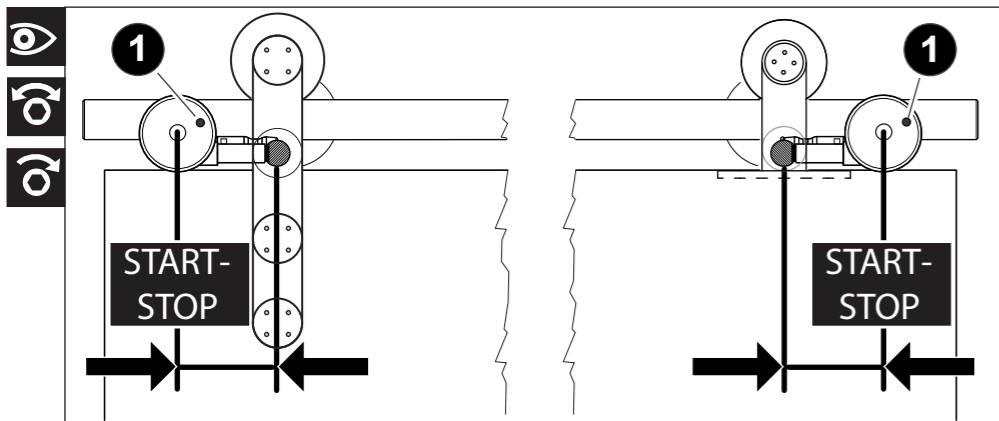


Abb. 4

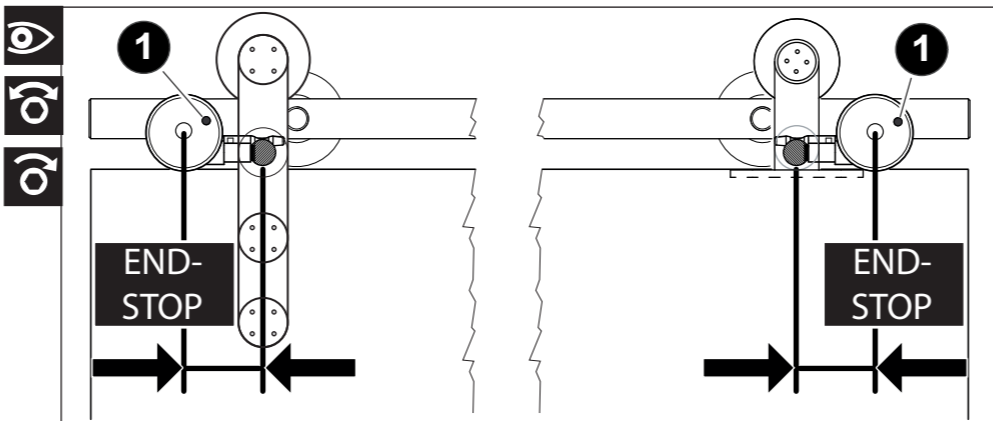


Abb. 5

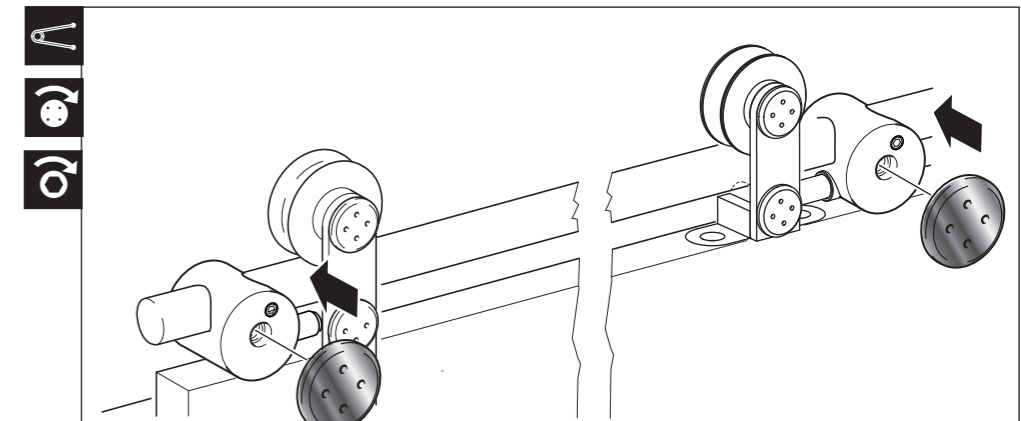


Abb. 6

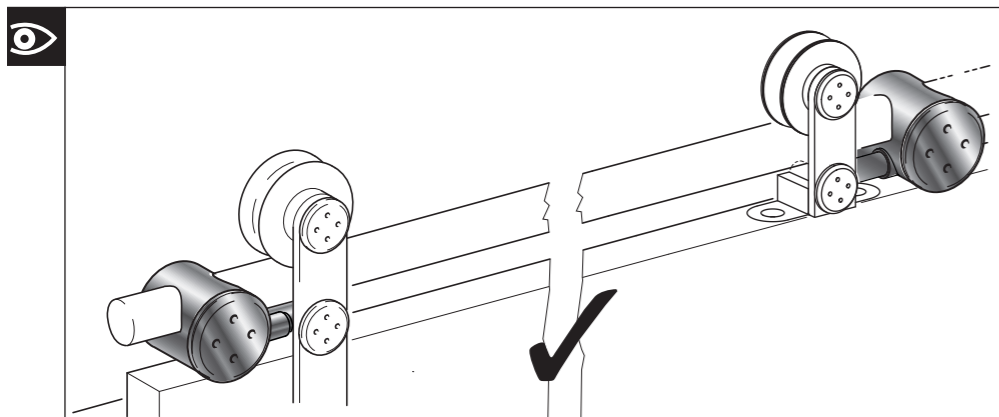


Abb. 7

Installation instruction Soft-Tec

for glass- and wood doors