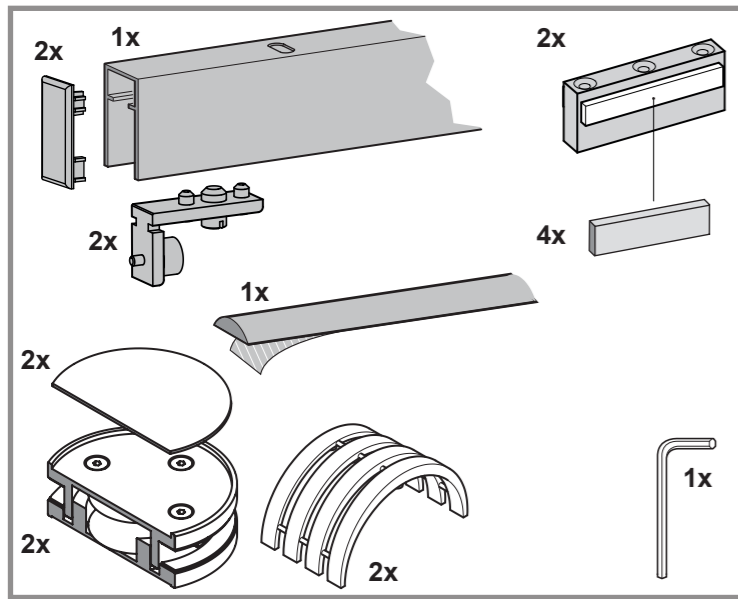
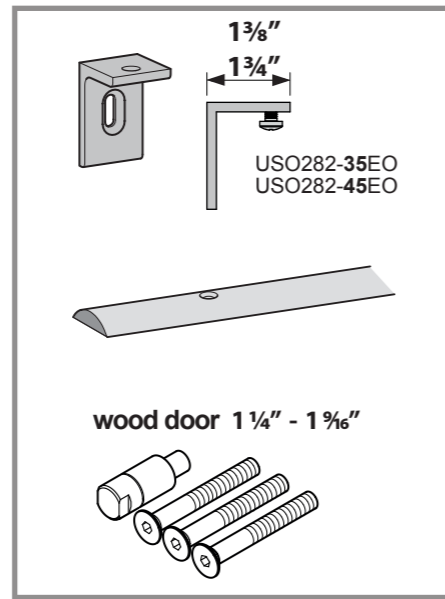


## complete-set



## optional

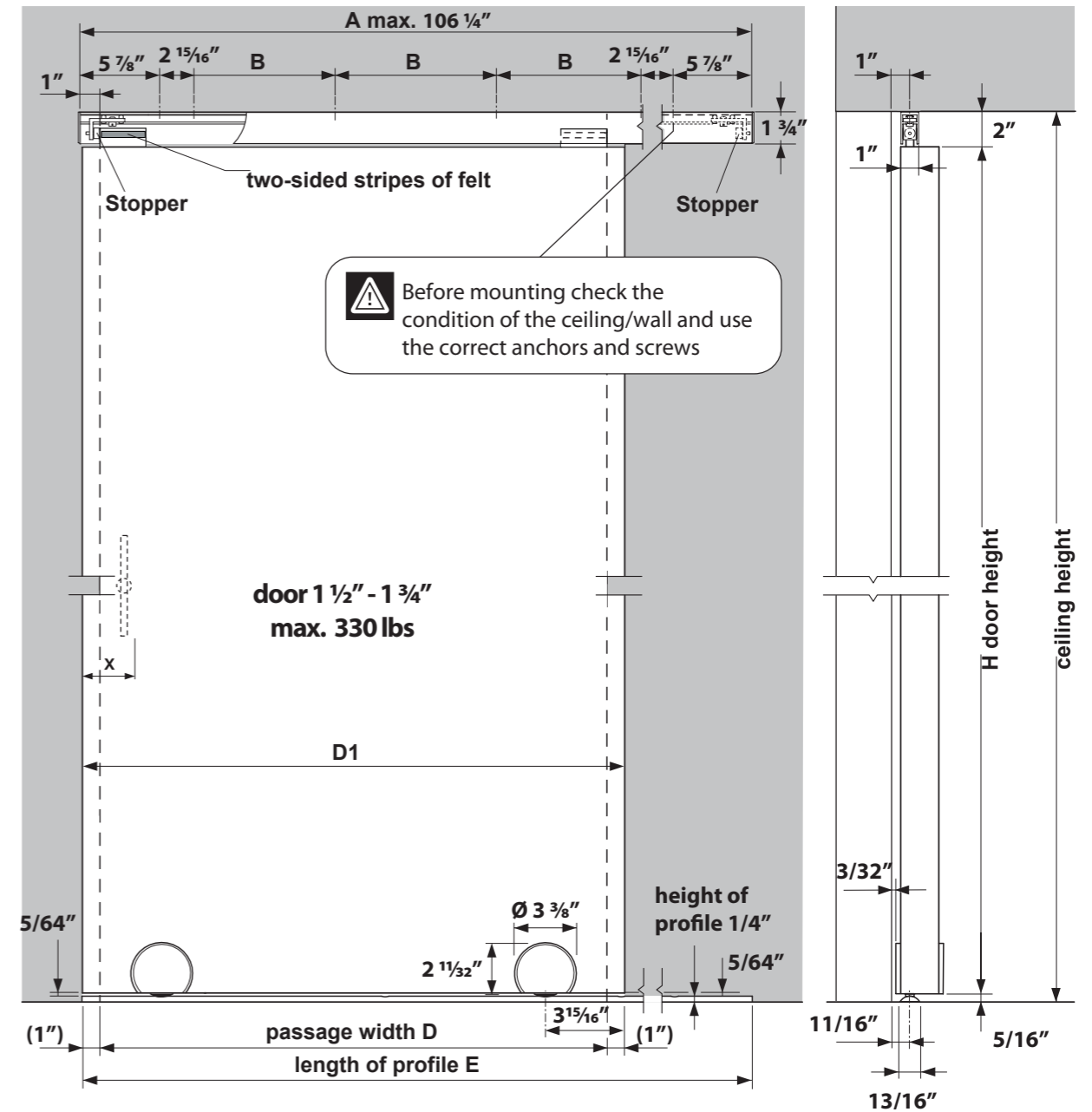


- Attention
- Screw on
- Screw on
- Drill
- Dowels
- Level
- Perpendicular
- Measure Mark
- Visual inspection
- Tool
- Measure
- Clarify questions
- At right angle
- 2 people required

# Installation instructions Belans

## Sliding door fittings Econoline

for wood doors (1 1/2" - 1 3/4")



### complete-set's

Set-Nr.	A mm	B mm	D mm	E mm
USO385-1900EF	74 3/16"	28 9/16"	29 1/2" - 35 7/16"	28 9/16"
USO385-2100EF	82 11/16"	21 5/8"	35 13/16" - 39 3/8"	21 5/8"
USO385-2350EF	92 1/2"	24 15/16"	39 3/4" - 44 1/16"	24 15/16"
USO385-2600EF	102 3/8"	28 1/4"	44 1/2" - 49 3/16"	28 1/4"

Right to make technical changes reserved - Dimensions in (inch) - Version 01.2015  
© by ABP-Beyerle GmbH

**ABP beyerle**

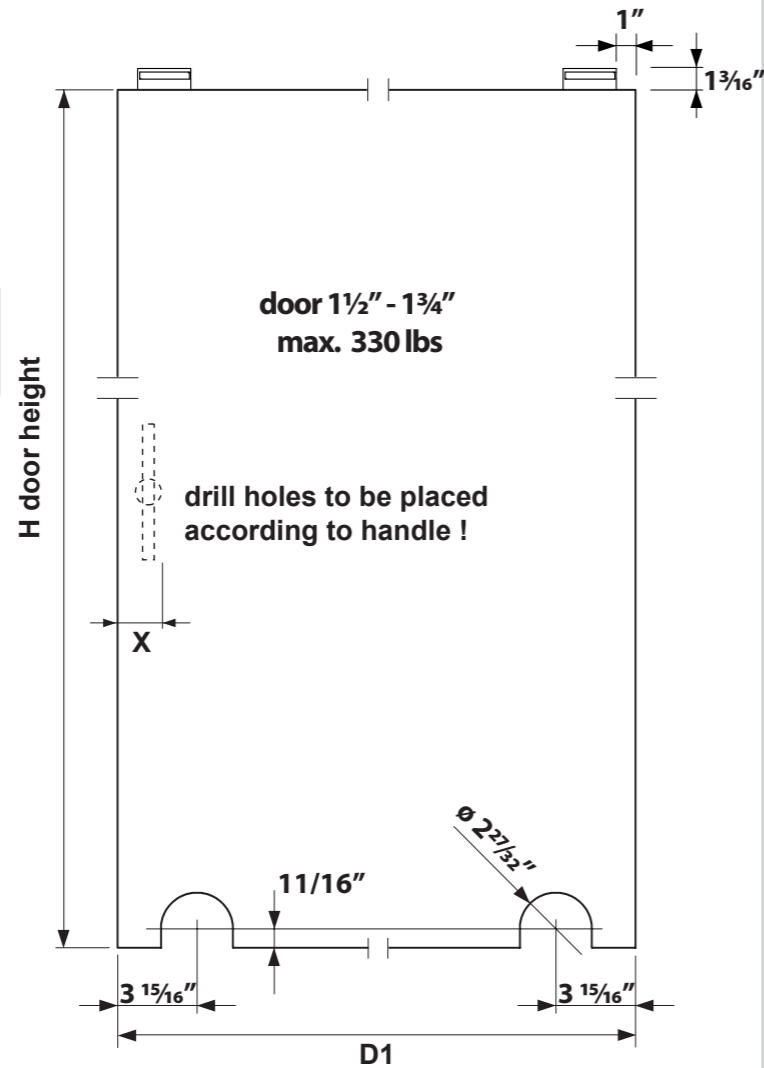
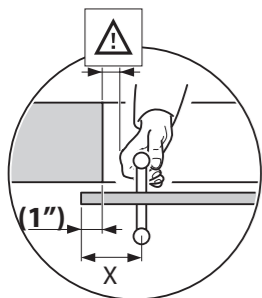
Comply with all general safety regulations when installing the sliding door fittings!

Installation to be completed by qualified licensed contractor.

**Be sure to tighten all screw connections one week after starting to use the sliding door fittings!**

Never use scouring agents to clean the sliding door fittings; rather use commercially available stainless-steel cleaners!

Make door handle clearance so that fingers do not get pinched when the door is used!



**ABP beyerle**

Beyerle US L.L.C.

5126 S Royal Atlanta Dr., Tucker, GA 30064

Phone (770) 349 - 6324, Fax (770) 934 - 3384, mail: info@beyerle-us.com, www.beyerle-us.com

65\_30\_00.0066\_US\_belans\_eco\_wood-042015-jb

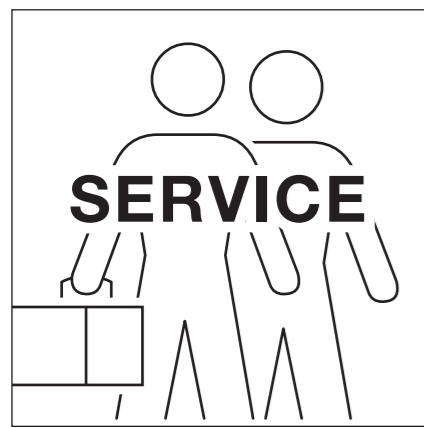


Abb. 1

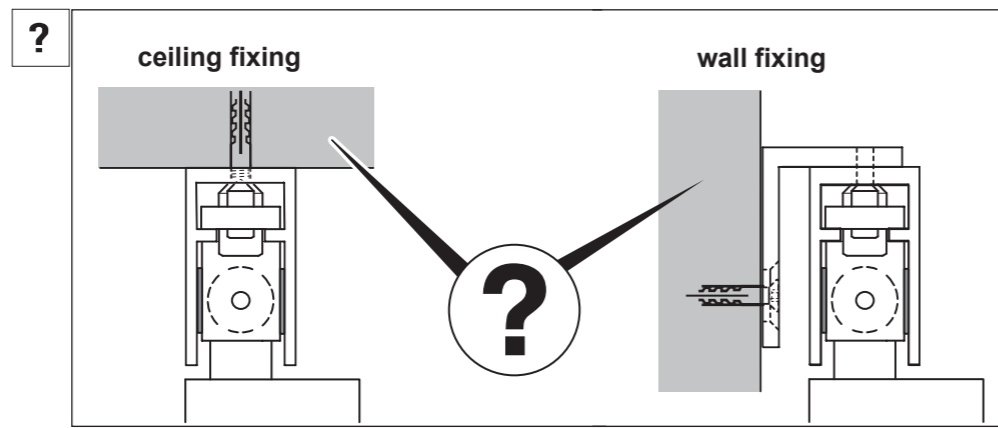


Abb. 2

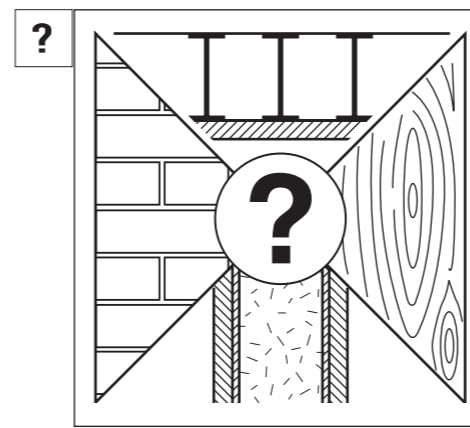


Abb. 3

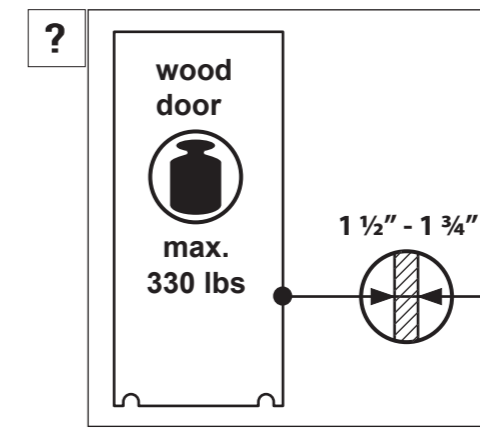


Abb. 4

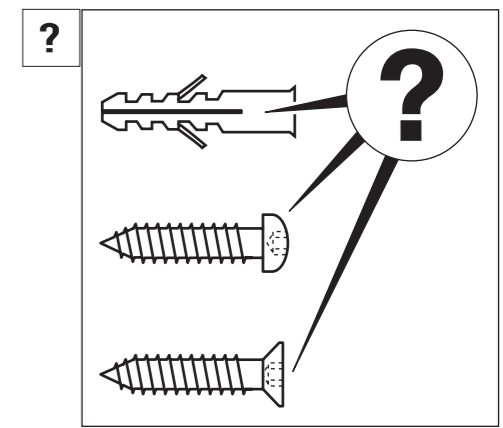


Abb. 5

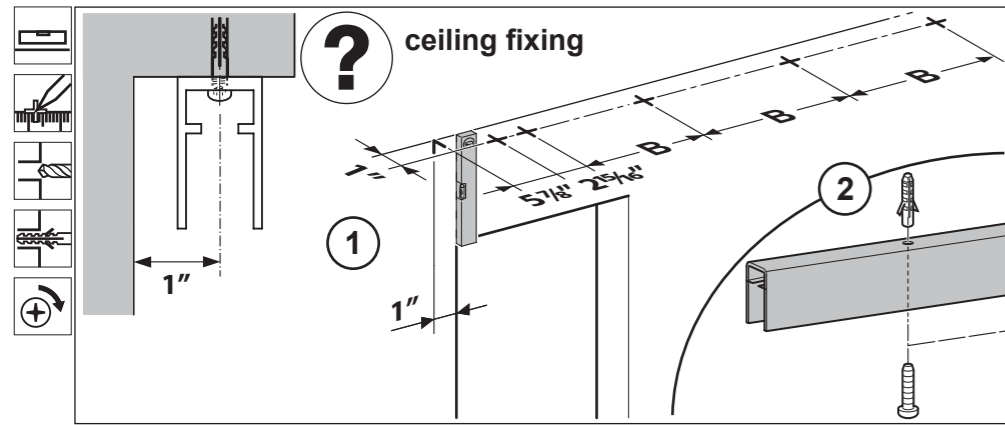


Abb. 6

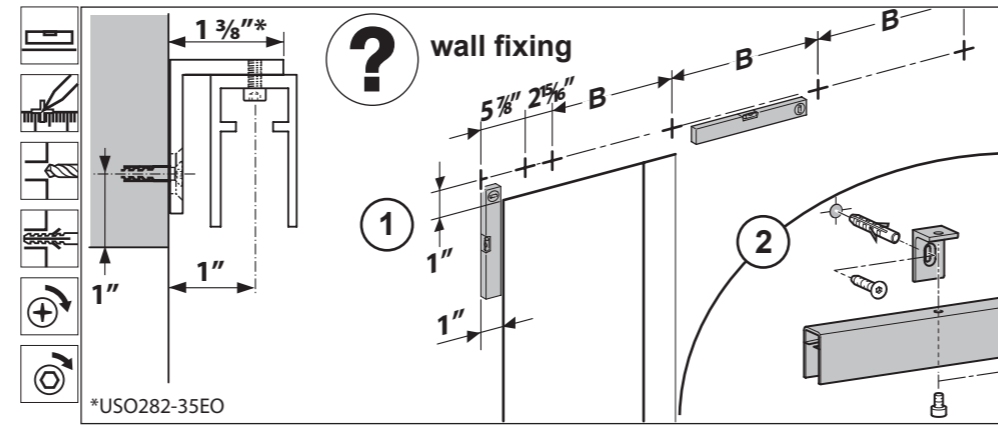


Abb. 7

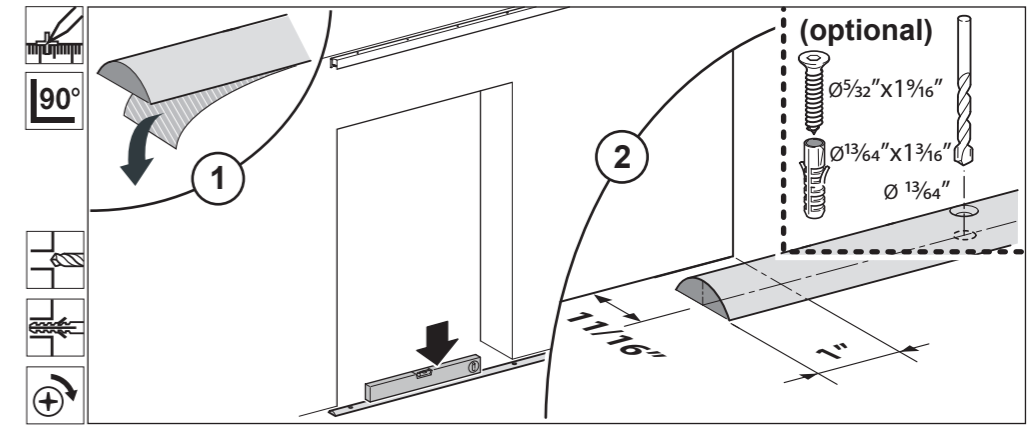


Abb. 8

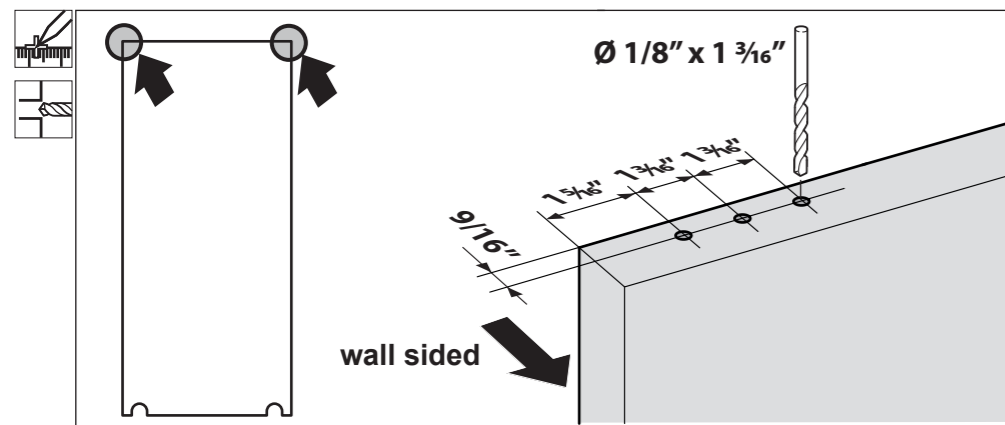


Abb. 9

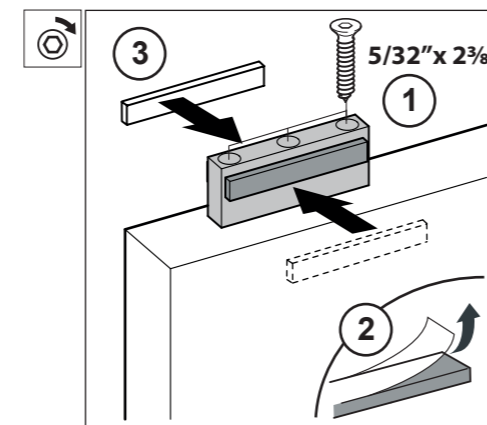


Abb. 10

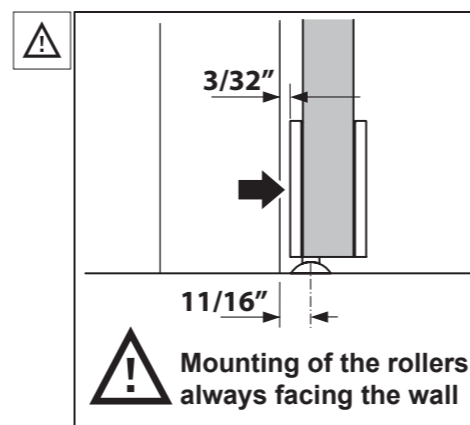


Abb. 11

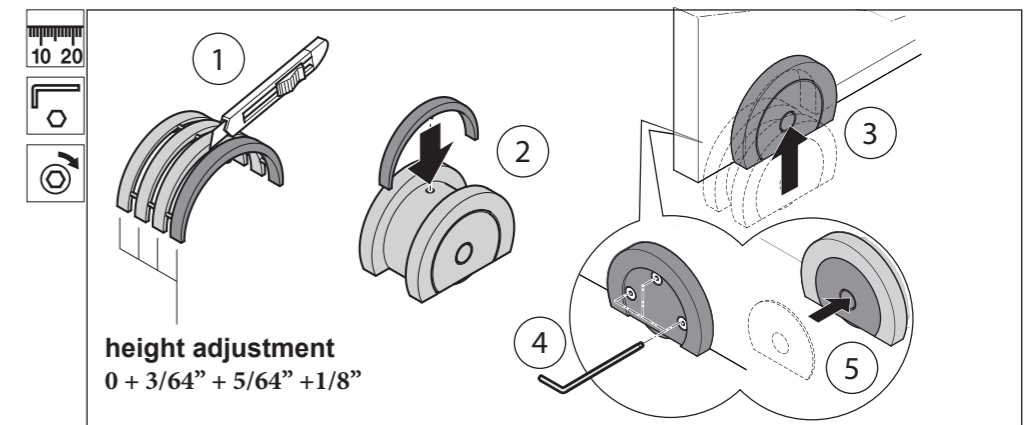


Abb. 12

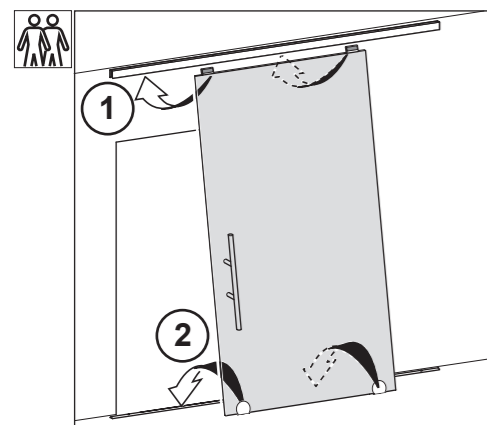


Abb. 14

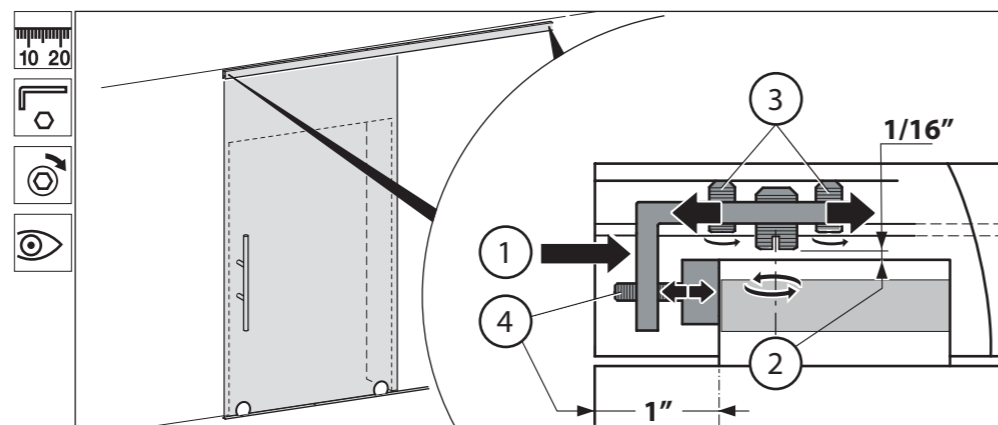


Abb. 15

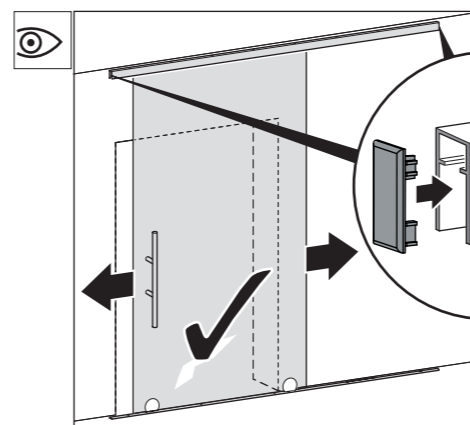


Abb. 16