

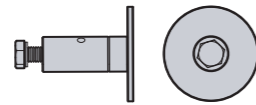
1 Set Casa-System

2 track rail

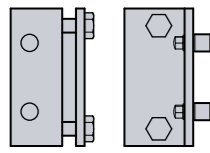


3 wall fixture

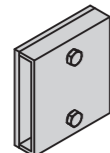
(without screws and dowels, at construction side)



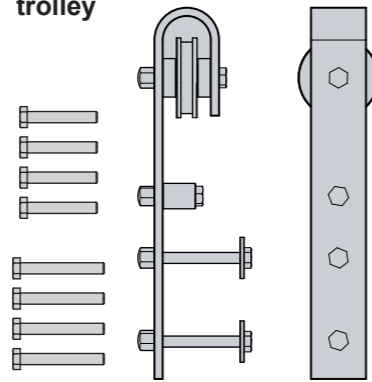
5 stopper



8 rail connector



4 trolley



6 bottom guide

(without screws and dowels, at construction side)



7 special tool

(inclusive)



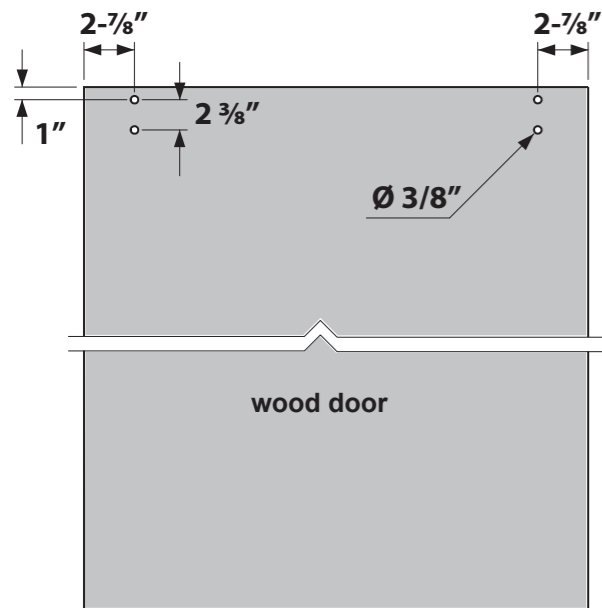
track- rail	Set / each					
1	2	3	4	5	6	7
144"	2	8	4	4	2	1
192"	2	10	4	4	2	1



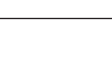
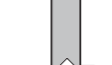
Beyerle US L.L.C., ABP-Beyerle it's subsidiaries and agents are not responsible or liable for damage or injury to any persons or property due to improper installation of it's products. All liabilities reside solely with the installer. Comply with all general safety regulations when installing the sliding door fittings!

Installation to be completed by qualified licensed contractor. Be sure to tighten all screw connections one week after starting to use the sliding door fittings! Check nuts and bolts regularly for tightness and retighten if necessary! Never use scouring agents to clean the sliding door fittings; Rather use commercially available cleaner!

Make door handle clearance so that fingers do not get pinched when the door is used!



max. 1 3/4"

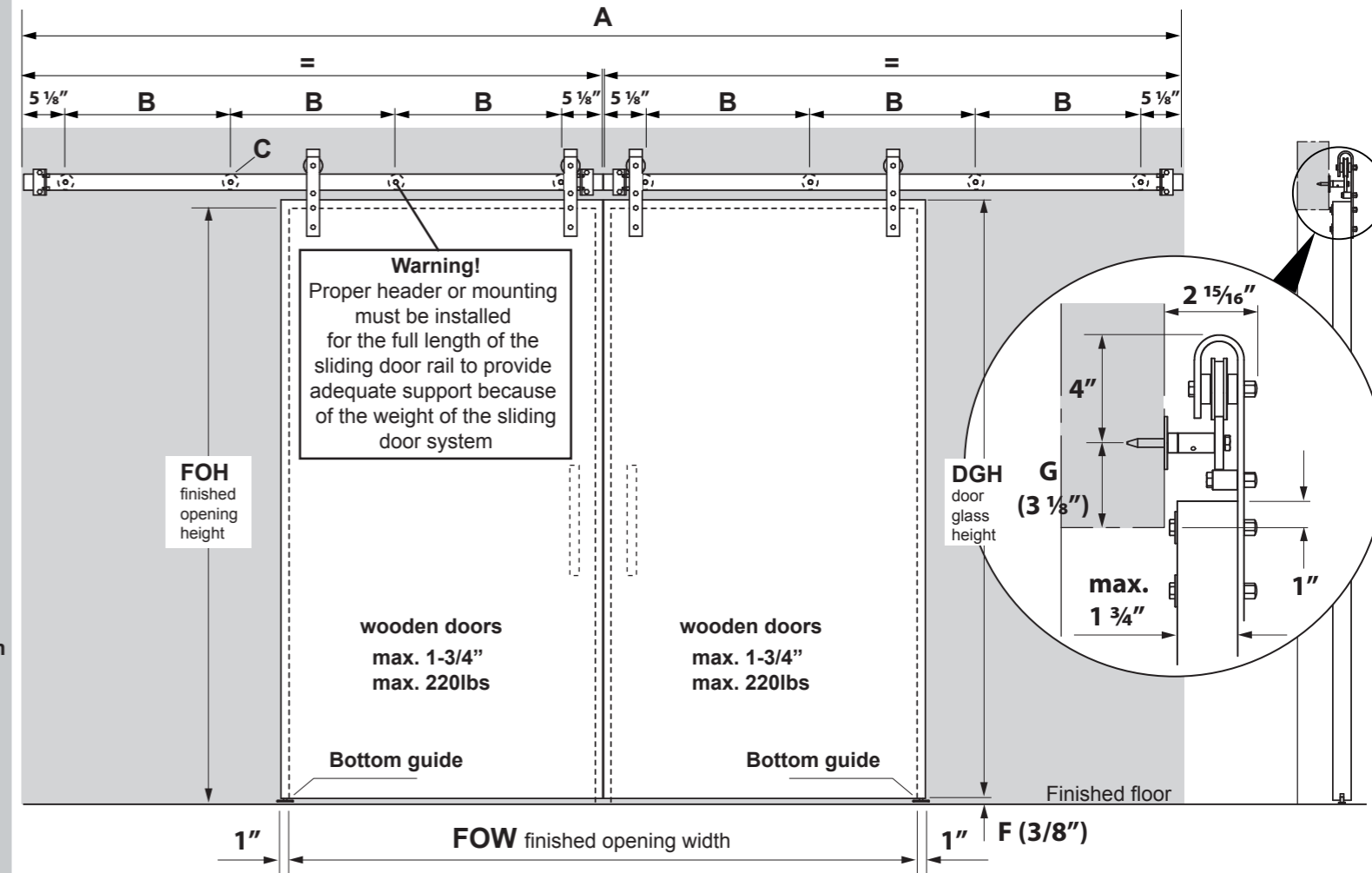


- Attention
- screw on
- screw on
- screw on
- screw on
- loosen/tighten
- install
- at right angle
- drill
- dowel
- adjust set
- level
- perpendicular
- measure mark
- visual inspection
- special tool
- 2 people required
- measure
- clarify question
- see instruction

Installation instructions

sliding door fittings Casa

for 2 leaf wood doors (1-3/8" - 1-3/4")



A Inch	B Inch	C Each	FOW Inch	FOH max. Inch	F Inch	G Inch	DGH max. Inch (DGH= FOH-F+1")
144"	20 9/16"	8	59" - 70 7/8"	98 7/16"	1/4" - 3/8"	3 1/8"	99 1/8"
192"	21 7/16"	10	79" - 94 1/2"	98 7/16"	1/4" - 3/8"	3 1/8"	99 1/8"

ABP beyerle

Beyerle US L.L.C.

5126 S Royal Atlanta Dr. , Tucker, GA 30084

Phone (770) 349 - 6324 , Fax (770) 934 - 3384 , mail: info@beyerle-us.com, www.beyerle-us.com

technical changes reserved - version 09.2018 mm acurate; Inch approx
© by ABP-Beyerle GmbH

ABP beyerle

65_30_00.0230_Casa_wood-biparting_US

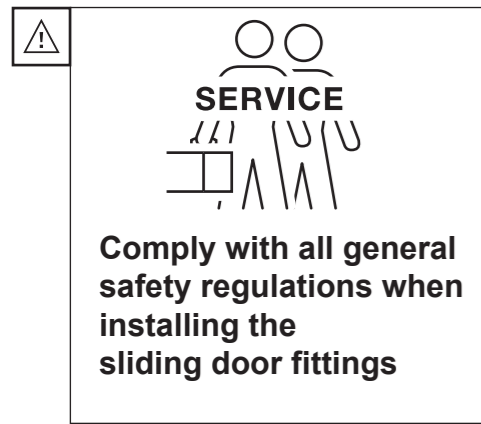


Fig. 1

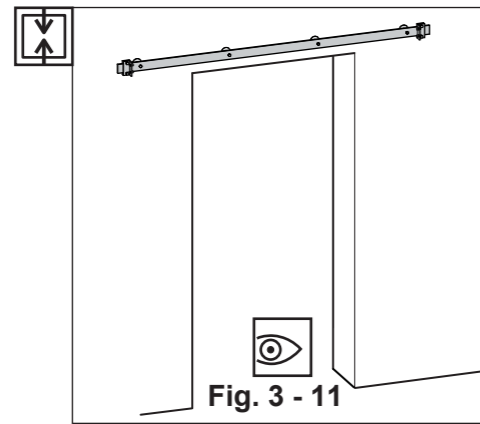


Fig. 2

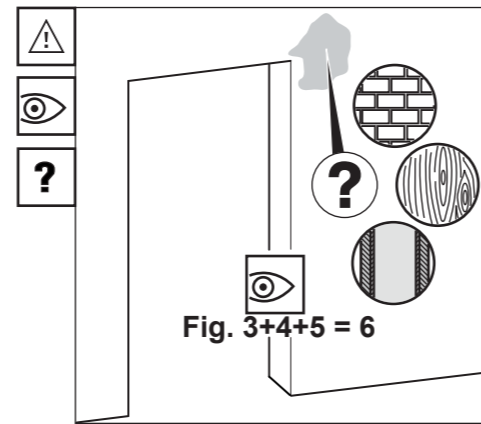


Fig. 3

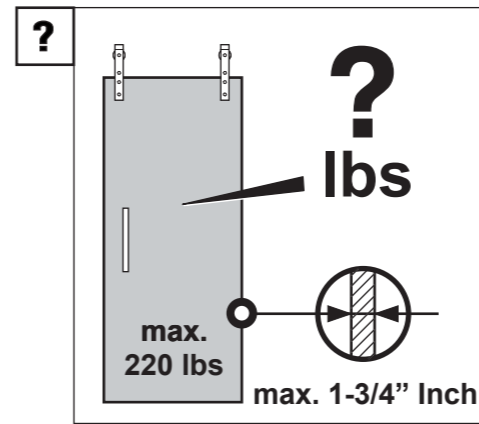


Fig. 4

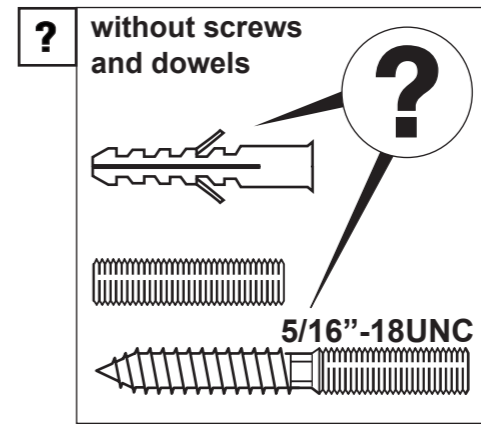


Fig. 5

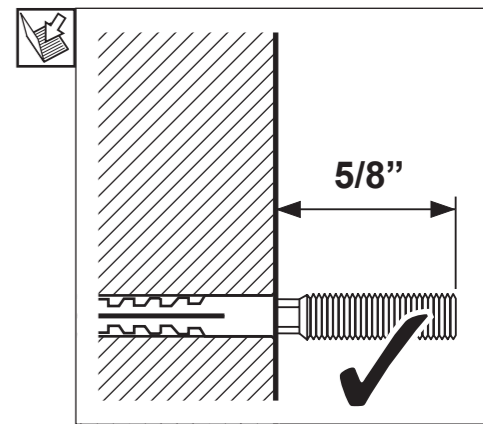


Fig. 6

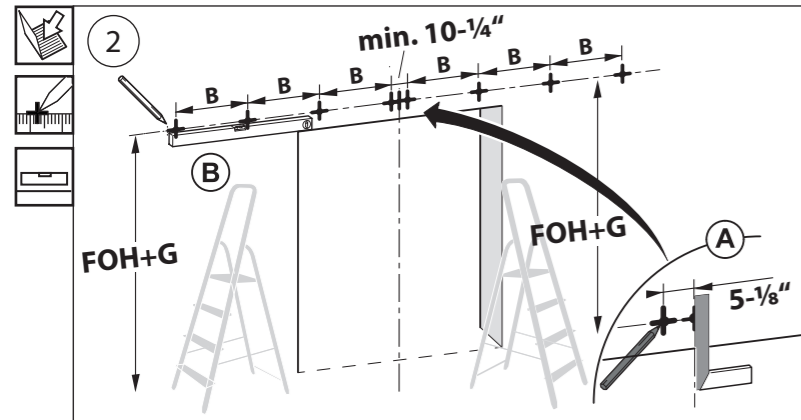


Fig. 7

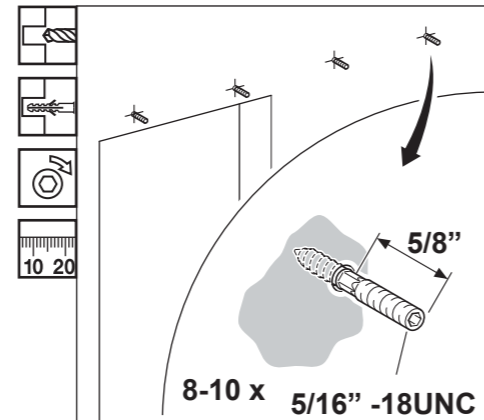


Fig. 8

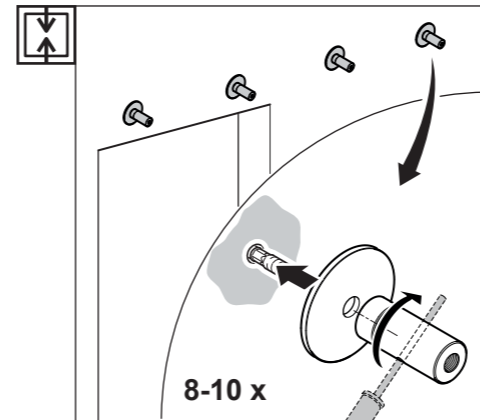


Fig. 9

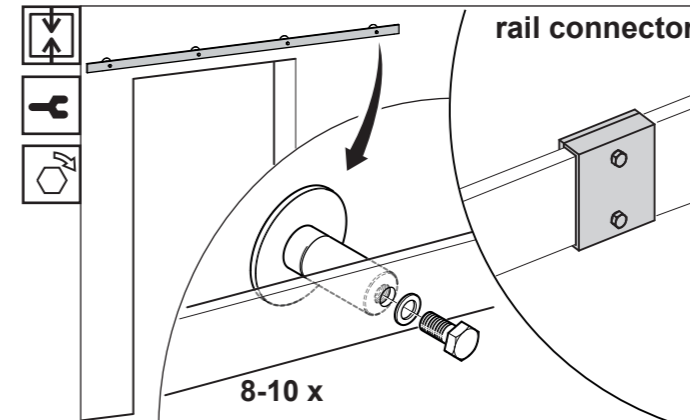


Fig. 10

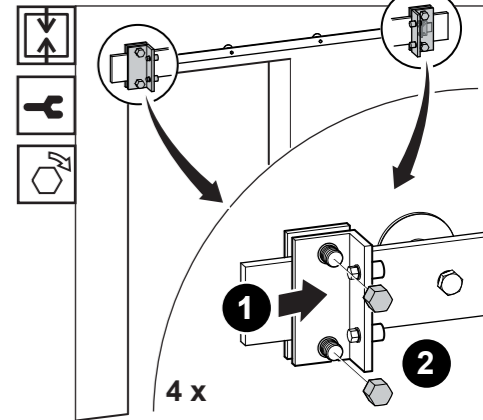


Fig. 11

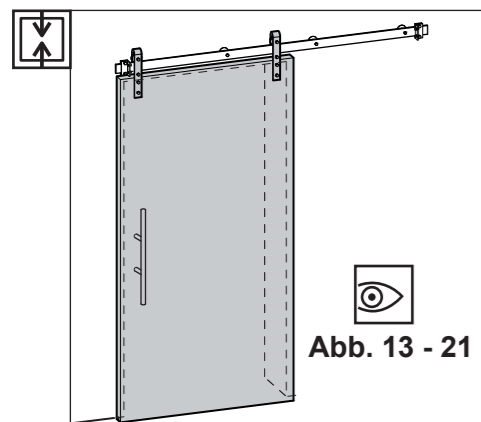


Fig. 12

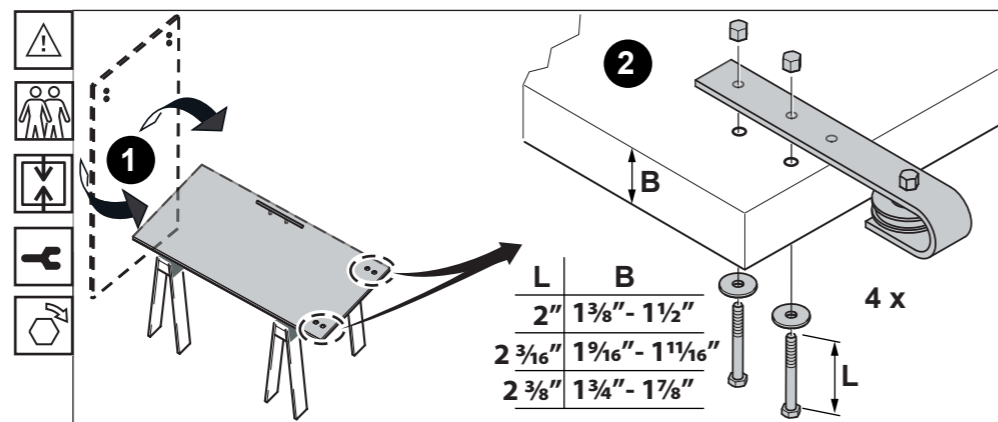


Fig. 13

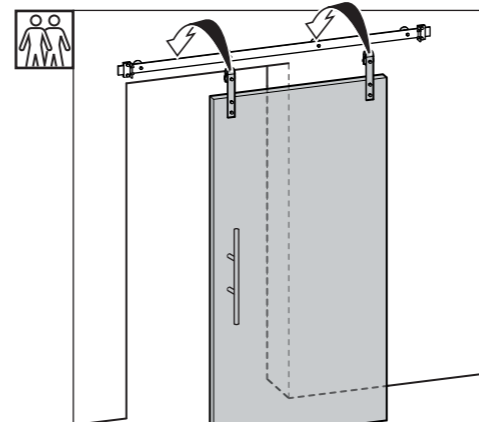


Fig. 14

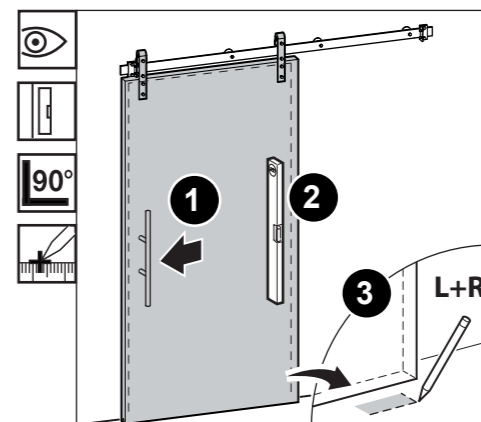


Fig. 15

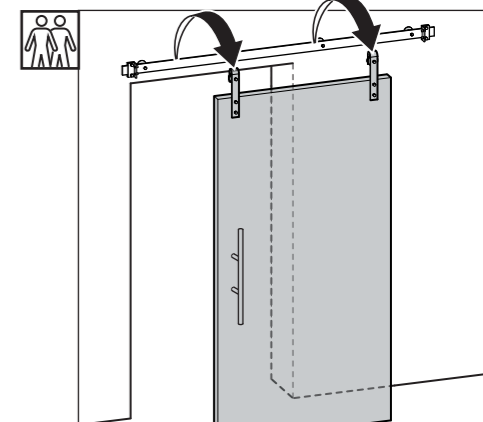


Fig. 16

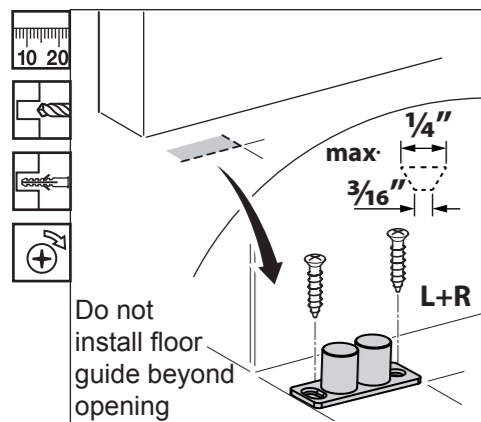


Fig. 17

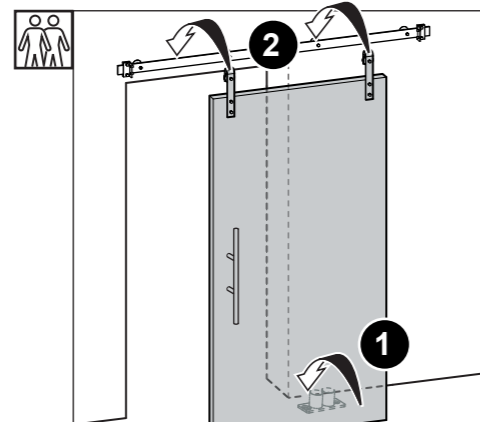


Fig. 18

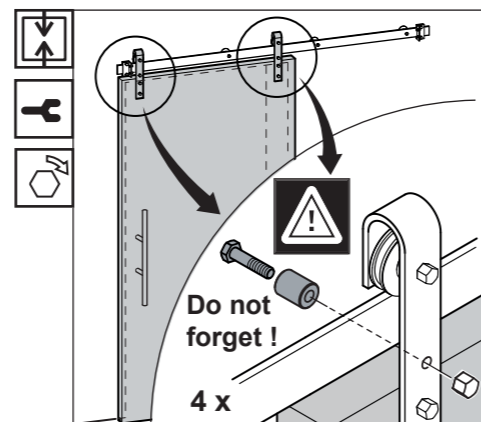


Fig. 19

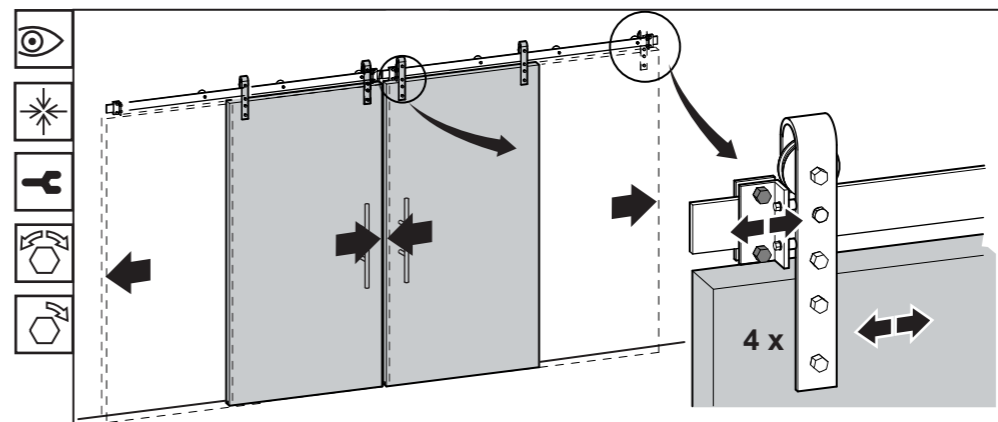


Fig. 20

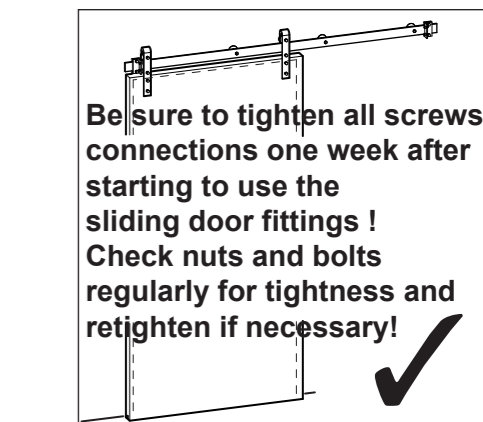


Fig. 21